

A minimalist line drawing of a chair, showing the backrest, seat, and legs. The drawing is composed of simple black outlines on a white background. The word "Okidoki" is written in a bold, dark grey, sans-serif font across the middle of the chair's backrest.

Okidoki

Folding Tables Finishes

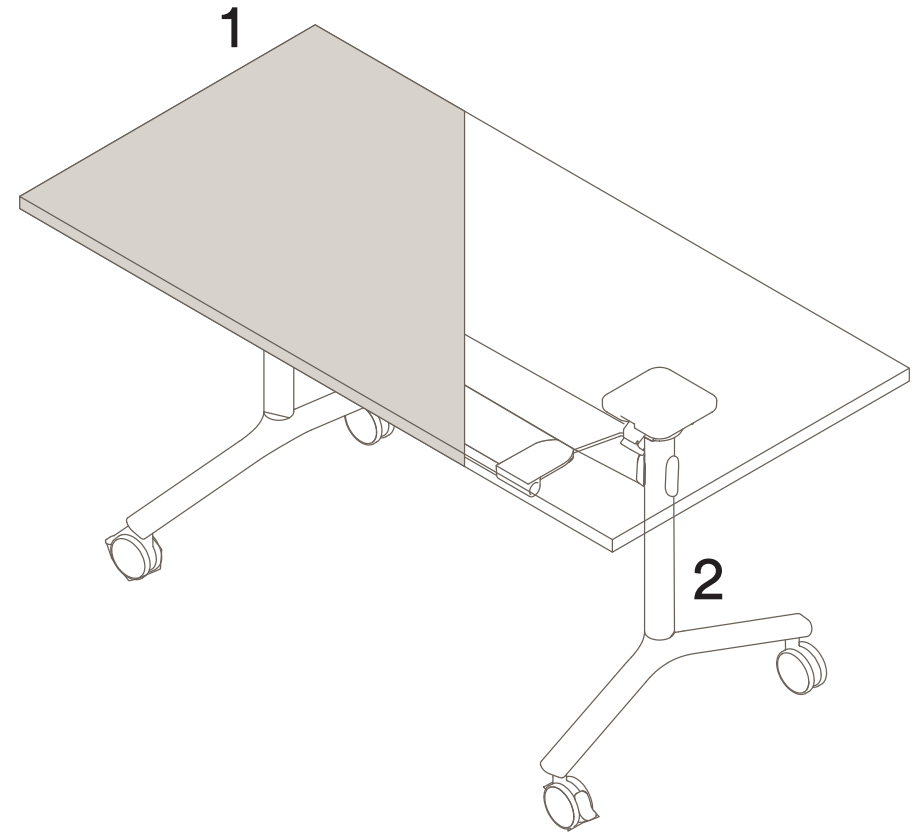
1. Tops

25mm Square edge Melamine Worktop range with Matching or Timber ABS Edging options.



2. Frame Finishes

The steel frame and aluminium foot are available in our current season powdercoat colours. For standard height bases, the leg columns are also available in timber-look powdercoat.



Colours are representative only, please check with your Thinking Works consultant to view samples of any specific colour.

Tables Folding

Materials Information

Legs

Powdercoat Steel Legs

- a. Blanc (standard)
 - b. Noir
 - c. Double Cream
 - d. Pink Salt
 - e. Nocturnelle
 - f. Morello
 - g. Scotland Sky
 - h. Green Smoke
 - i. Moonshine
 - j. Byron Blue
 - k. Axel
- l. Ash Timbergrain (column only)

Foot

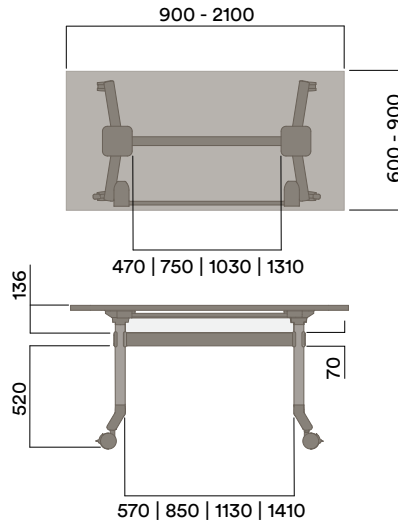
Powdercoat Aluminium

- a. Blanc (standard)
- b. Noir
- c. Double Cream
- d. Pink Salt
- e. Nocturnelle
- f. Morello
- g. Scotland Sky
- h. Green Smoke
- i. Moonshine
- j. Byron Blue
- k. Axel

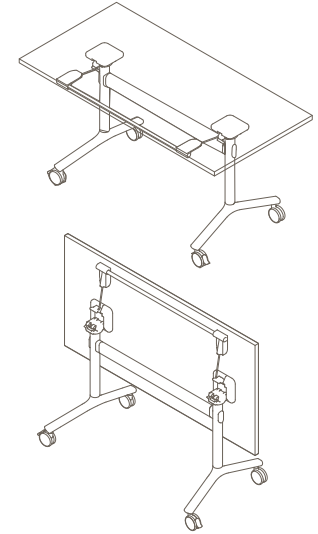
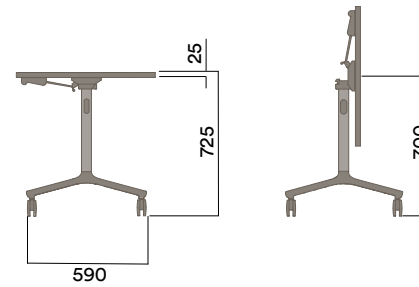
*Table links provided with Folding frames

Maximum inc. worktop 60kg
 Maximum Point Load 15kg
 Seats 1-4

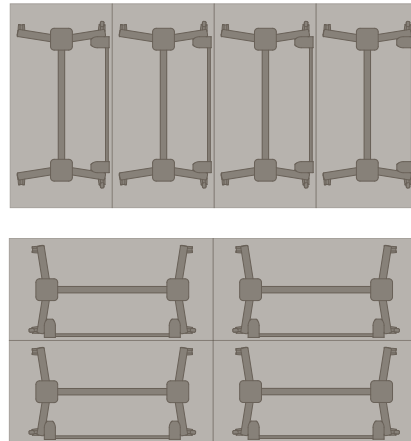
OKD-1080, 1082, 1084, 1086 Folding



725 (standard height)



Linked Configurations*



Racetrack Configuration

