

ANGULAR SLING _____ burgtec.



HANGING CHAIR



ANGULAR SLING burgtec.

In full swing.

An award-winning design, the Angular Sling showcases a perfect fusion of architectural geometrics and clever materiality.

This chair's clean lines and its "lightness" make it a perfect fit for any space.

Features

- Weight Rating: 120kg
- Optional Cushion Upgrade
- Optional Handle Upgrade
- Commercial Grade Construction
- Geometric Design
- Designed & Made in South Africa

Finishes

- Steel Frame: Stirling Powdercoat Range
- Leather Seat / Straps / Cushion: Stirling Leather Range
- Fabric Seat / Cushion: Stirling Fabric Range
- Strings: Black

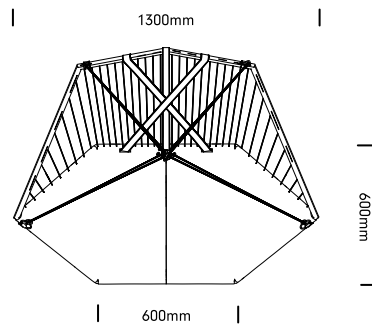
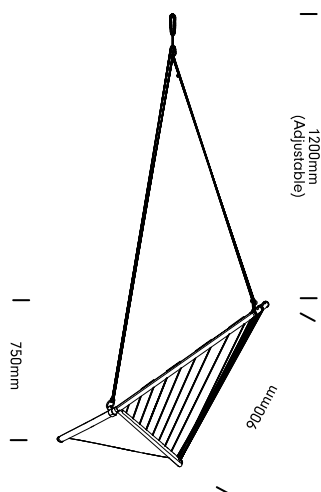


Designer | Studio Stirling

ANGULAR SLING _____ [burgtec.](http://burgtec.com)

1 SEATER

SS-ANGULAR



Fabric

For a general clean, regular dusting and vacuuming removes any loose particles and stops dirt from entering the weave and breaking down the fibres. When necessary, the upholstery should be gently wiped with a clean cloth, dampened with warm soapy water. Immediately dry with a clean and dry non-abrasive cloth. Do not use strong or abrasive cleaning fluids or detergents, as these may affect the colour and finish of the fabric. Upholstery can be professionally dry-cleaned if required. For best care and maintenance results please follow manufacturer's instructions

Leather

Periodically dust with a clean, dry soft cloth. Do not expose your Chairs to prolonged Sunlight or other heat sources as this may cause fading. Avoid extremes of Humidity. For Dried Soiling: Gently brush with a soft brush or gently clean with a vacuum cleaner. For Wet Soiling and deep cleaning: Gently remove the excess substance from the surface with absorbent paper. With a clean cloth soaked in a mild soap solution, gently remove the stain. Do not soak the surface, dry and buff immediately with a clean cloth. For best care and maintenance results please follow manufacturer's instructions.



Chrome, anodised, polished or powdercoated metal surfaces

Clean with a damp, soft cloth or sponge using lukewarm soapy water. Strong detergents which contain bleach, acid or have an abrasive effect (such as scouring creams) should be avoided. Sponges and scourers made from synthetic fibres or metal which may leave permanent scratches on the surfaces should also be avoided. Ensure product is dried with clean fibre-free cloth after washing.

Warranty Information

The Angular Sling has 1 Year Warranty. Burgtec promises the original purchaser, at our option, to repair or replace any of the said product or component thereof, subject to normal commercial use, that is defective in material or workmanship for the time period offered on the product from date of purchase. To view the full warranty statement for Angular Sling please go to burgtec.com/angular-sling.



burgtec.

1800 287 483 | burgtec.com

Newcastle | Sydney | Perth | Brisbane | Canberra | Adelaide | Melbourne

