

LITTLE JARA _____ burgtec.



LOUNGE
CHAIR

LITTLE JARA burgtec.

Make a statement.

Joining the vivid Jara collection, Little Jara is designed to shine through its subtle, petal-like design.

Use Little Jara in any type of space for a graceful, versatile seating solution.

Features

- Fully Upholstered
- Glide base
- Timber interior construction
- Rounded, modular design
- Designed in Italy

Finishes

- Upholstery: Select from Burgtec house fabrics / leathers or fabric of your choice
- Two-tone upholstery available

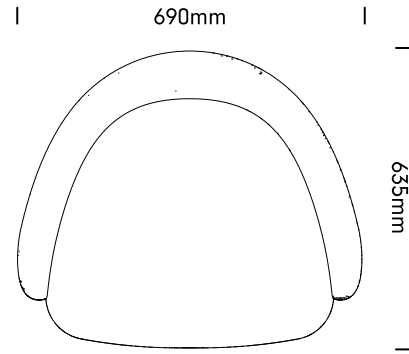
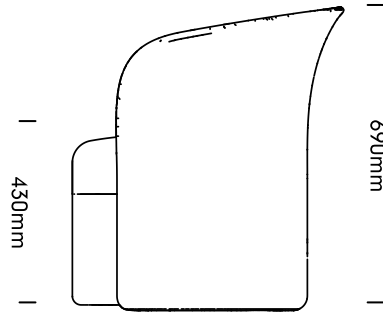


LITTLE JARA

burgtec.

LITTLE JARA

LITTLE-JARA



Fabric

For a general clean, regular dusting and vacuuming removes any loose particles and stops dirt from entering the weave and breaking down the fibres. When necessary, the upholstery should be gently wiped with a clean cloth, dampened with warm soapy water. Immediately dry with a clean and dry non-abrasive cloth. Do not use strong or abrasive cleaning fluids or detergents, as these may affect the colour and finish of the fabric. Upholstery can be professionally dry-cleaned if required. For best care and maintenance results please follow manufacturer's instructions.

Leather

Periodically dust with a clean, dry soft cloth. Do not expose your Chairs to prolonged Sunlight or other heat sources as this may cause fading. Avoid extremes of Humidity. For Dried Soiling: Gently brush with a soft brush or gently clean with a vacuum cleaner. For Wet Soiling and deep cleaning: Gently remove the excess substance from the surface with absorbent paper. With a clean cloth soaked in a mild soap solution, gently remove the stain. Do not soak the surface, dry and buff immediately with a clean cloth. For best care and maintenance results please follow manufacturer's instructions.

Vinyl, PU & Faux Leather

Periodically dust with a clean, dry soft cloth. Do not expose your Chairs to prolonged Sunlight or other heat sources as this may cause fading. Avoid extremes of Humidity. For Dried Soiling: Gently brush with a soft brush or gently clean with a vacuum cleaner. For Wet Soiling and deep cleaning: Gently remove the excess substance from the surface with absorbent paper. With a clean cloth soaked in a mild soap solution, gently remove the stain. Do not soak the surface, dry and buff immediately with a clean cloth. For best care and maintenance results please follow manufacturer's instructions.

Warranty Information

Little Jara has 10 Year Warranty. Burgtec promises the original purchaser, at our option, to repair or replace any of the said product or component thereof, subject to normal commercial use, that is defective in material or workmanship for the time period offered on the product from date of purchase. To view the full warranty statement for Little Jara please go to burgtec.com/little-jara.





burgtec.

1800 287 483 | burgtec.com

Newcastle | Sydney | Perth | Brisbane | Canberra | Adelaide | Melbourne

