

**C.ME**

## **C.ME**

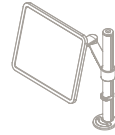
Designed considering user friendly operation, simple clean lines, and environmental focus, the C.ME Monitor Arm is available as a single arm, dual arm, triple arm, or quad arm support in three colour options – white, polished and black.

---

# C.ME

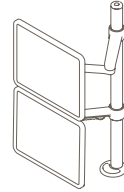
Standard Height

7



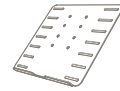
Extended Height

8



Accessories

9–10



# C.ME Finishes

## 1. White

- a. Pearl White Arm
- b. Silver Anodized Post
- c. White Trim



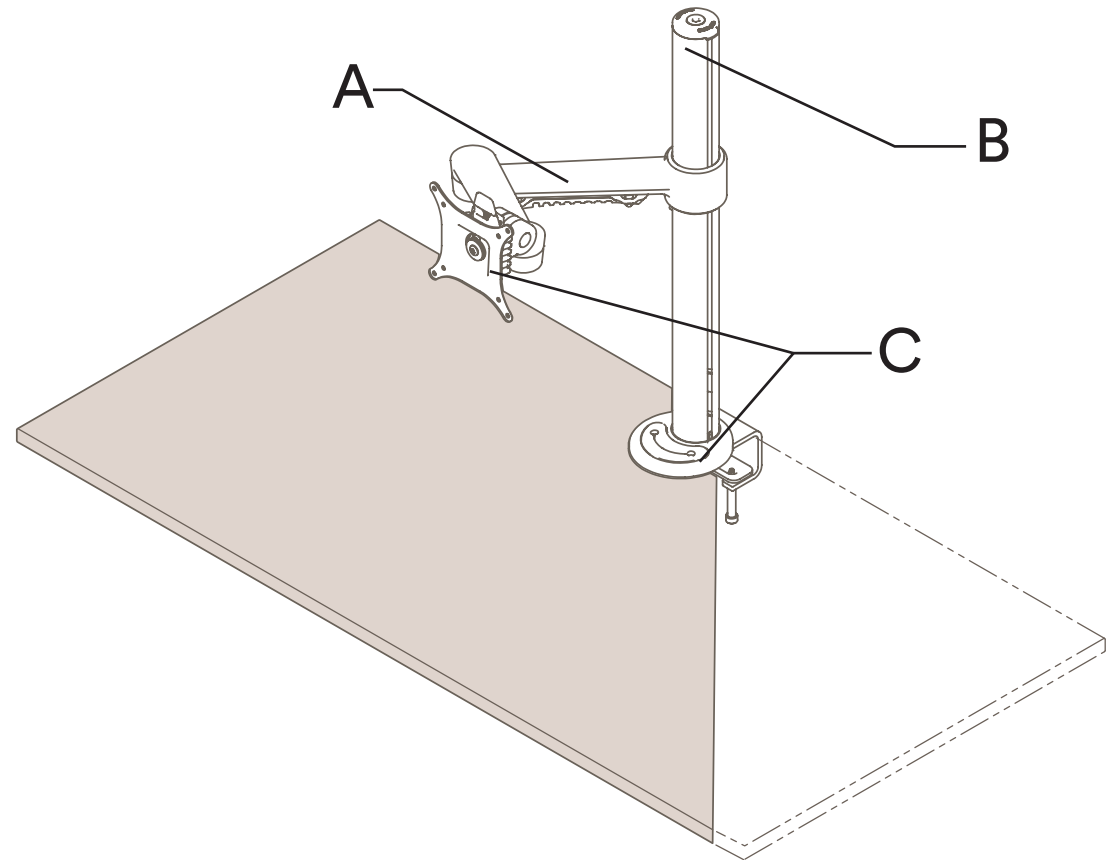
## 2. Black

- a. Matte Black Arm
- b. Black Anodized Post
- c. Black Trim



## 3. Polished

- a. Polished Arm
- b. Silver Anodized Post
- c. Black Trim



Colours are representative only, please check with your Thinking Works consultant to view samples of any specific colour.

# C.ME Specifications

## Materials Information

### Arm

Aluminium

- a. Pearl White Powder Coat
- b. Black Powder Coat
- c. Polished

### Post

Anodized Aluminium

- a. Matte Black
- b. Silver

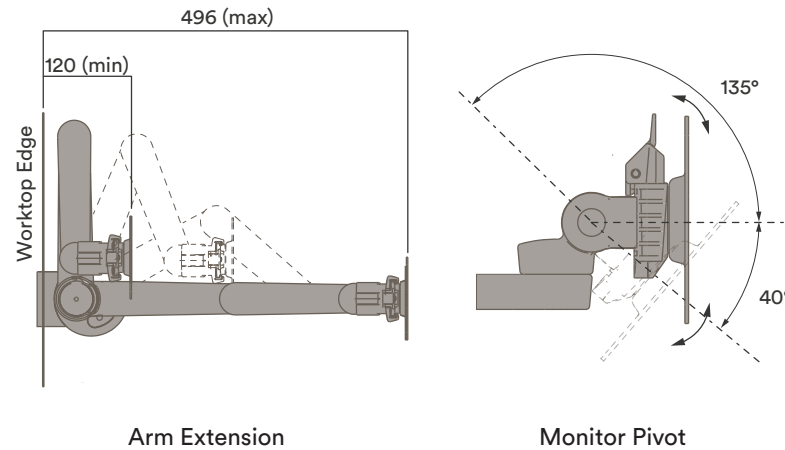
### Trim Detailing

- a. Black
- b. White

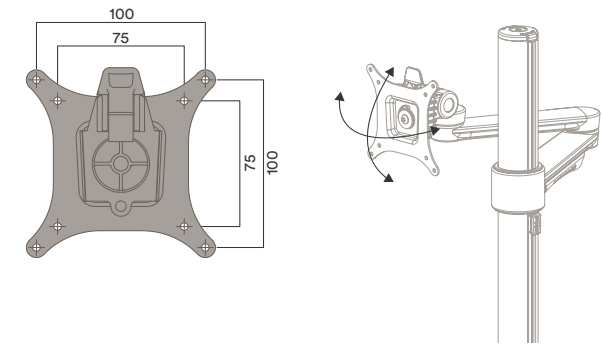
### Vesa Mounting Bracket

- a. Black
- b. White

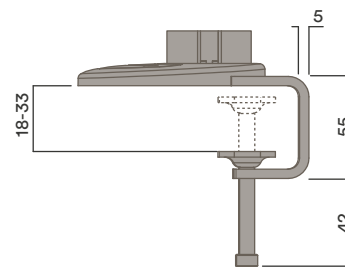
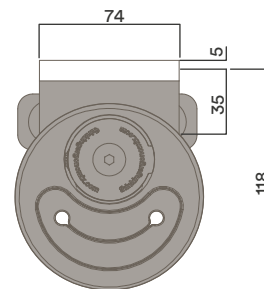
## C.ME Arm Range of Motion



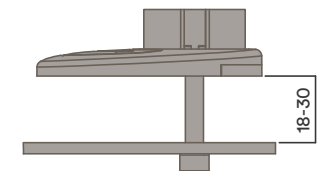
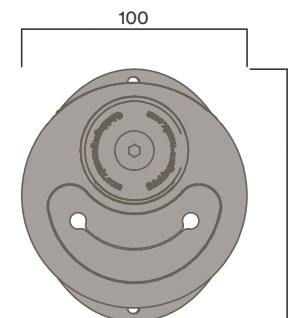
## Monitor Mounting Hole Pitch



## Option 1: Desk Clamp



## Option 2: Bolt Through



Desk Clamp

Suits 18-33mm thick  
Worktops

Bolt Through

Suits 18-30mm thick  
Worktops

# Monitor Arm System Standard Height

## Materials Information

### Arm

Aluminium

- a. Pearl White Powder Coat
- b. Black Powder Coat
- c. Polished

### Post

Anodized Aluminium

- a. Matte Black
- b. Silver

### Trim Detailing

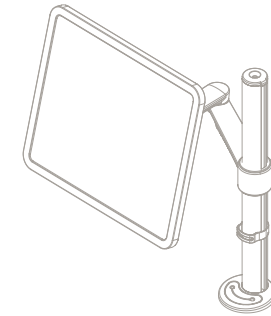
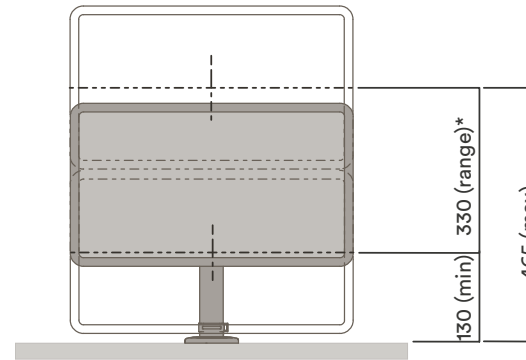
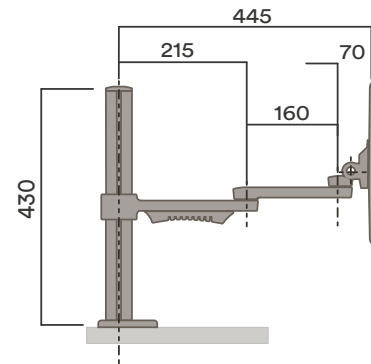
- a. Black
- b. White

## Vesa Mounting Bracket

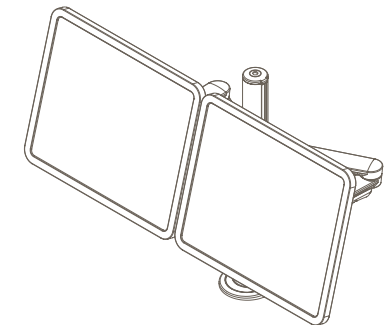
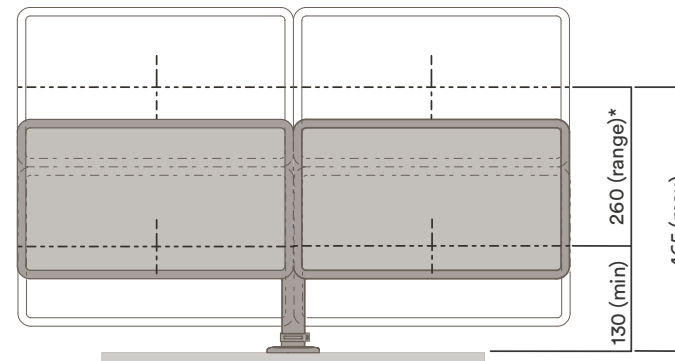
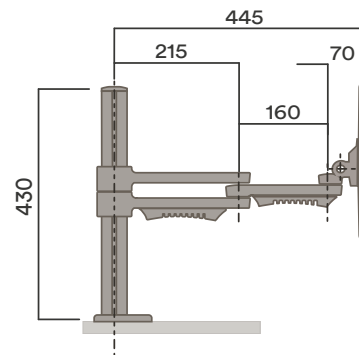
- a. Black
- b. White

Weight Capacity	8kg per Arm
Maximum Screen Width	Single - Unlimited Double - 740mm each
Height Adjustment	Single - 330mm Double - 260mm
Monitor Mounting	Vesa Compliant Monitors (75 or 100mm square)
Worktop Thickness	Bolt Through - 18 - 30mm Desk Clamp - 18 - 33mm

## OTS-MA-1100



## OTS-MA-1200



\*Range is dependant on number and size of monitors.  
Lowest position shown has been calculated with 15" monitor.

# Monitor Arm System Extended Height

## Materials Information

### Arm

Aluminium

- a. Pearl White Powder Coat
- b. Black Powder Coat
- c. Polished

### Post

Anodized Aluminium

- a. Matte Black
- b. Silver

### Trim Detailing

- a. Black
- b. White

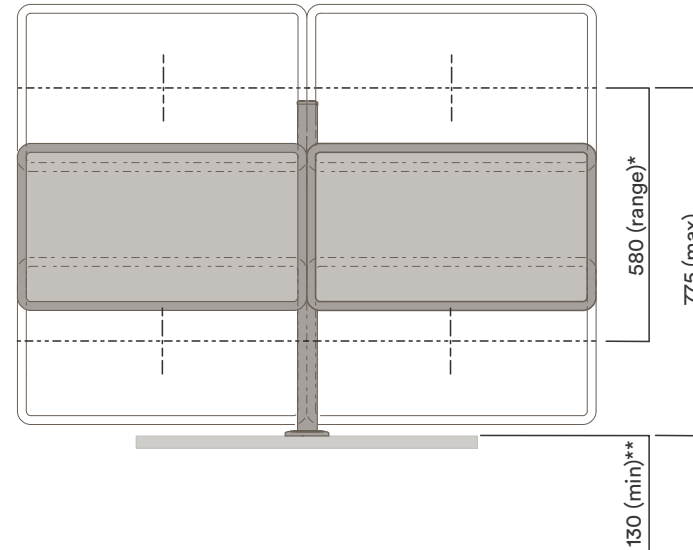
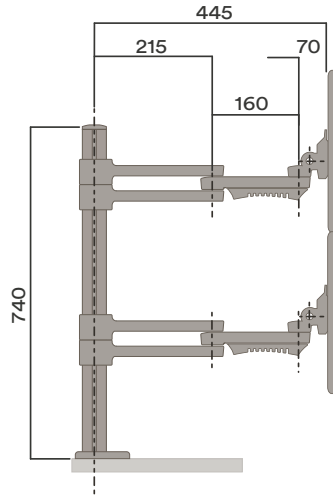
## Vesa Mounting Bracket

- a. Black
- b. White

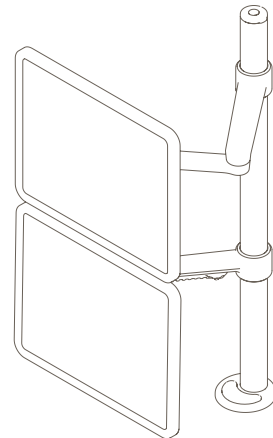
Weight Capacity	8kg per Arm
Maximum Screen Width	Single - Unlimited Double - 740mm each
Height Adjustment *	Range dependent on number and size of monitors
Monitor Mounting	All Vesa Compliant Monitors (75 or 100mm square)
Worktop Thickness	Bolt Through - 18 - 30mm Desk Clamp - 18 - 33mm

\*\*Lowest position shown has been calculated with 15" monitor.

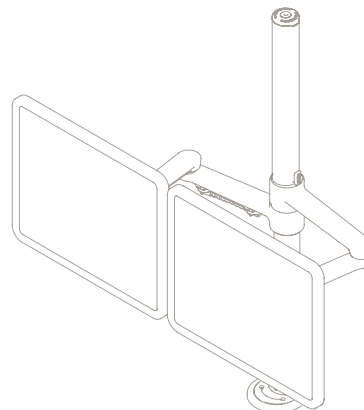
## Arm Configuration



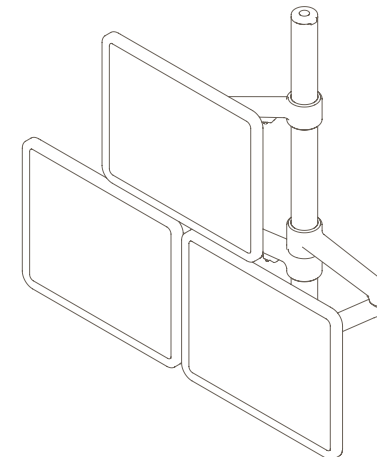
OTS-MA-1400



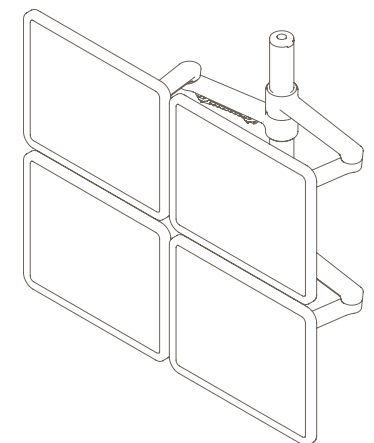
OTS-MA-1250



OTS-MA-1500



OTS-MA-1600



# Monitor Arm System Accessories

## Materials Information

### Arm

Aluminium

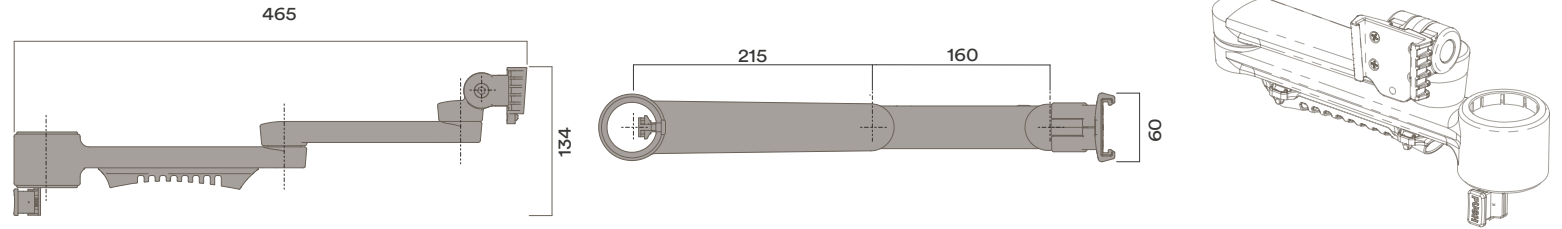
- a. Pearl White Powder Coat
- b. Black Powder Coat
- c. Polished

### Laptop Tray

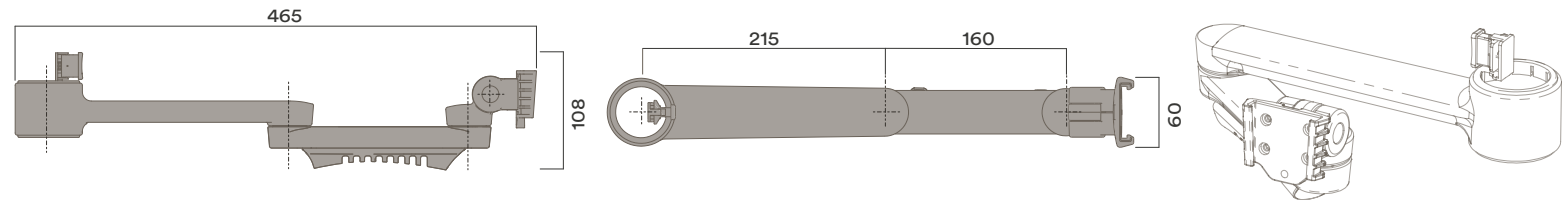
Steel Powder Coat

- a. Black
- b. White

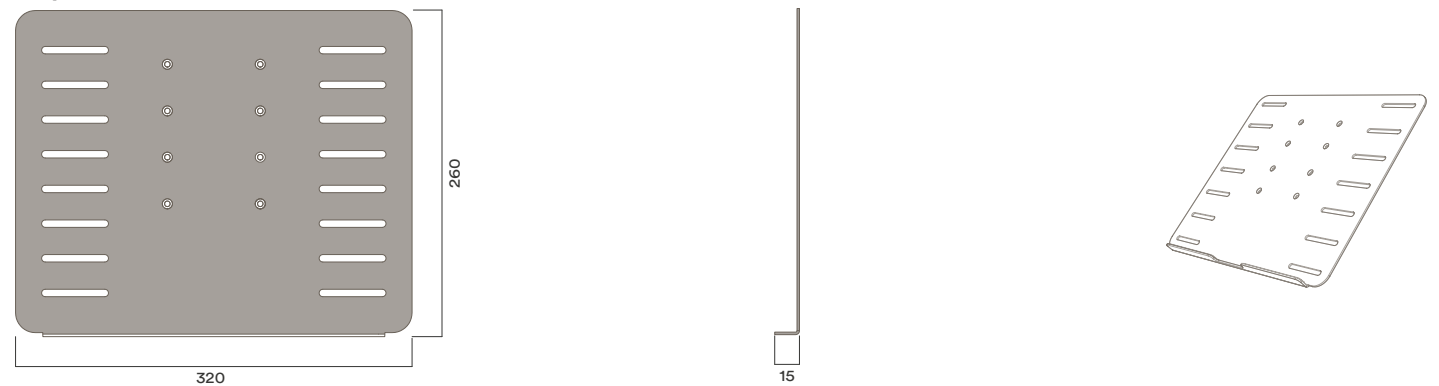
## Primary Add-On Arm



## Secondary Add-On Arm



## Laptop Tray



Weight Capacity  
Maximum Screen Width

8kg per Arm  
Single - Unlimited  
Double - 740mm each



# Monitor Arm System Accessories

## Materials Information

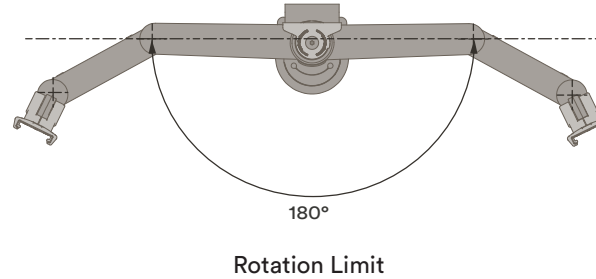
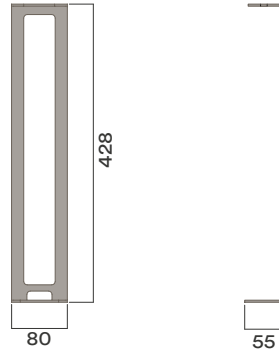
### Rotation Limiter Kit

- a. White
- b. Black

### Quick Release Vesa Mounting Replacement

- a. White
- b. Black

## C.ME Monitor Arm Rotation Limiter Kit

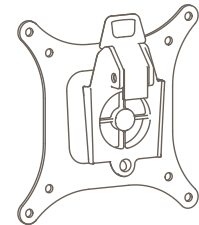
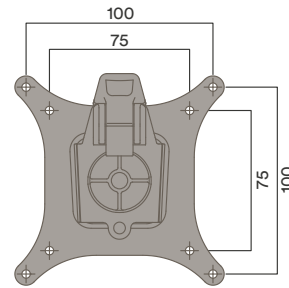


## Extended Post

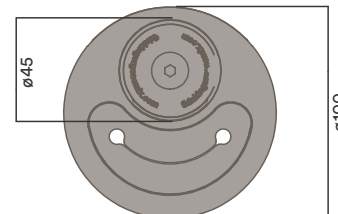
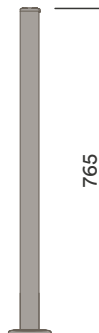
Anodized Aluminium

- a. Matte Black
- b. Silver

## Quick Release Vesa Mounting Replacement



## Extended Post





### **Specification**

Due to our policy of continuous product development, specifications and finishes may change without prior notice.

### **Sustainability Policy**

We realise the importance of responsible business practices and have in place numerous product and company sustainability certifications. We would encourage you to download our annual Sustainability Report from the Thinking Works website to get a full overview of our sustainability program.

Thinking Works  
© Copyright 2018  
All right reserved

---