

# Vader

## Vader

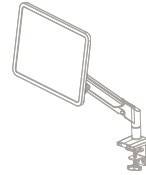
Designed to offer increased workspace and comfort. The Vader Monitor Arm's shorter front arms can be adjusted to align screens seamlessly, while an advanced gas spring mechanism provides fluid movement. Available in a single arm or dual arm support with two colour options - white and black.

---

**Vader**

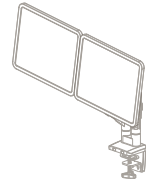
**Single Arm**

**7**



**Dual Arm**

**8**



**Laptop Tray**

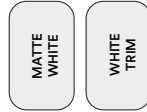
**9**



# Vader Finishes

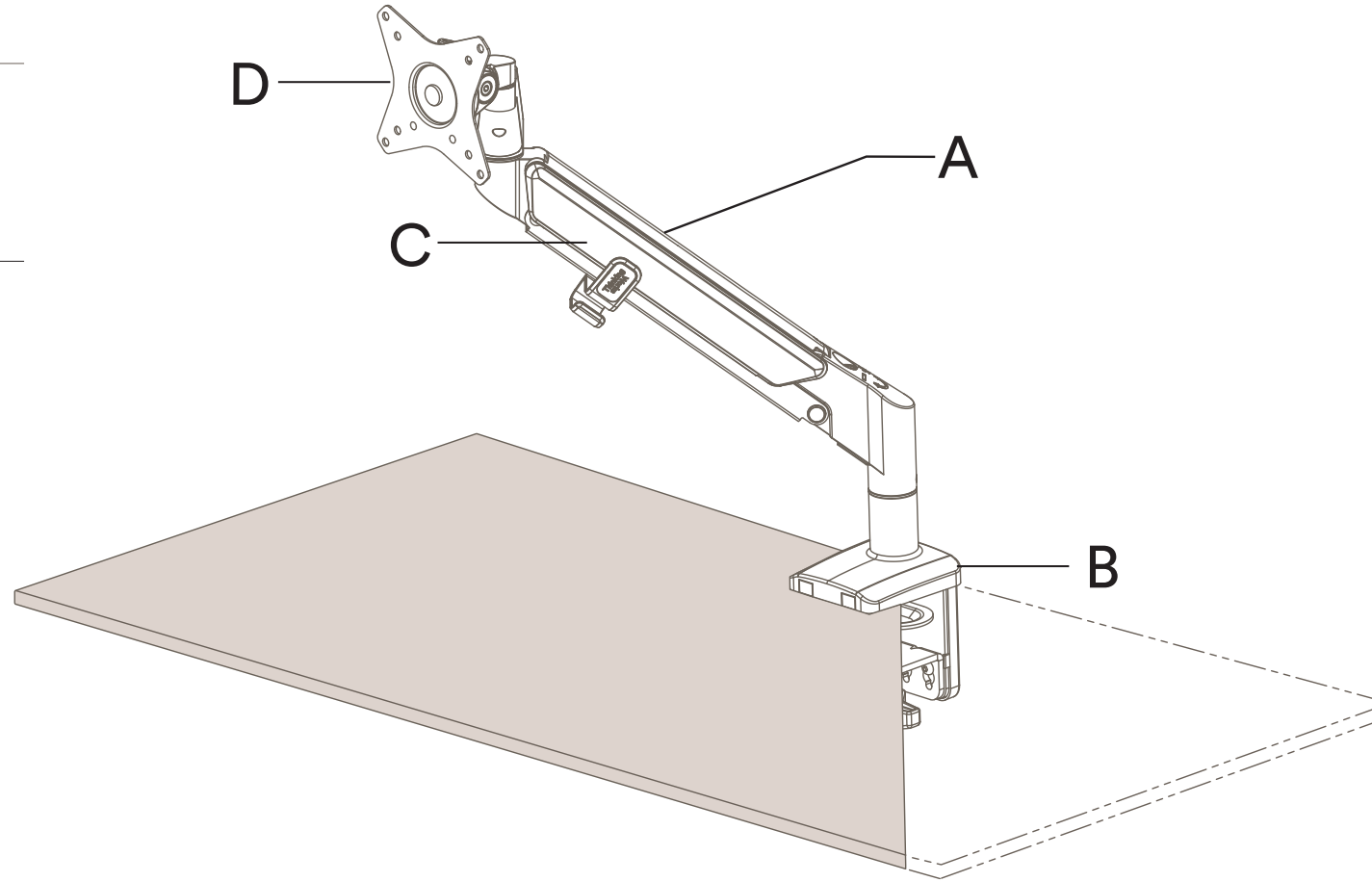
## 1. White

- a. Matte White Arm
- b. Matte White Base
- c. White Trim
- d. Matte White VESA Plate



## 2. Black

- a. Satin Black Arm
- b. Satin Black Base
- c. Black Trim
- d. Satin Black VESA Plate



Colours are representative only, please check with your Thinking Works consultant to view samples of any specific colour.

# Vader Specifications

## Materials Information

### Arm

Aluminium

- a. Matte White
- b. Satin Black

### Base

Aluminium

- a. Matte White
- b. Satin Black

### Trim Detailing

ABS

- a. White
- b. Black

## Vesa Mounting Bracket

Steel

- a. Matte White
- b. Satin Black

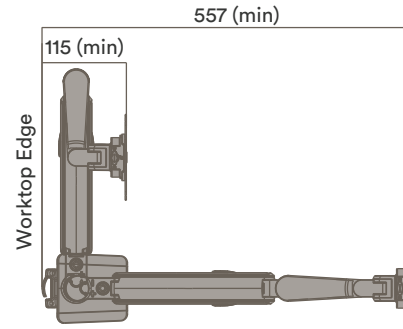
Desk Clamp

Suits 10-85mm thick Worktops

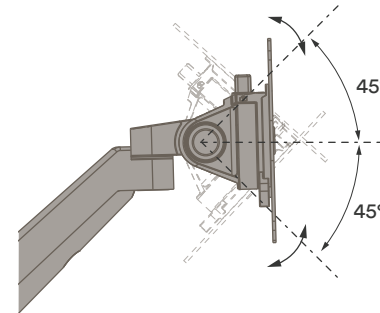
Bolt Through

Suits 10-80mm thick Worktops

## Vader Arm Range of Motion

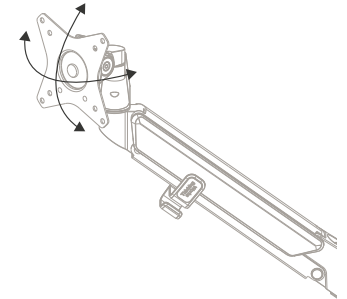
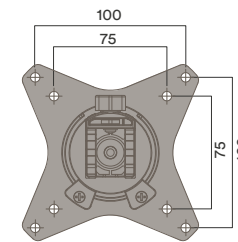


Arm Extension



Monitor Pivot

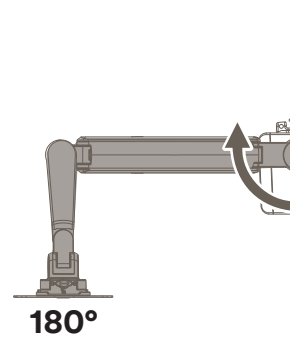
## Monitor Mounting Hole Pitch



VESA Mount Compatible  
(Centre Mounted Only)

## Rotation Stop Adjustment

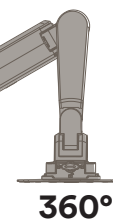
Rotation Stop On



180°

Arm can be set to rotate within 180°. Prevents overhang and contact with surrounding objects.

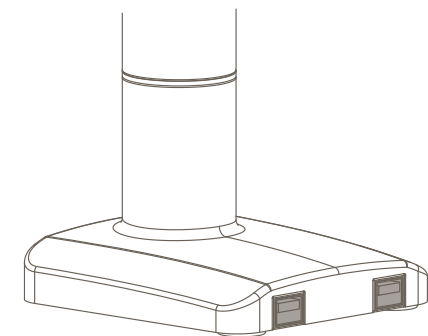
Rotation Stop Off



360°

Arm can be set to rotate 360°. Can allow for monitors to be further away from user where there is clearance behind the desk.

## USB Power



Optional USB power socket x 2 for powering smartphone and tablets. Output: DC 5V~3A / 9V~2A / 12V ~ 1.5A per socket. Requires for 2 x available powerpoints.

# Vader Single Arm

## Materials Information

### Arm

Aluminium

- a. Matte White
- b. Satin Black

### Base

Aluminium

- a. Matte White
- b. Satin Black

### Trim Detailing

ABS

- a. White
- b. Black

## Vesa Mounting Bracket

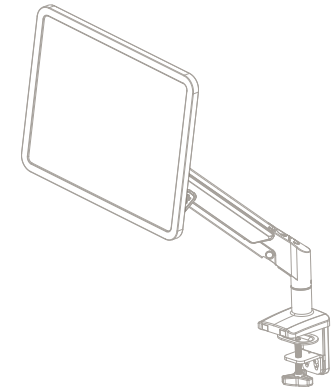
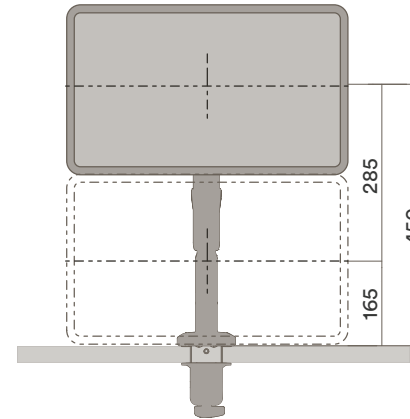
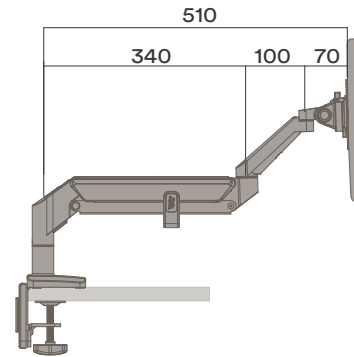
Steel

- a. Matte White
- b. Satin Black

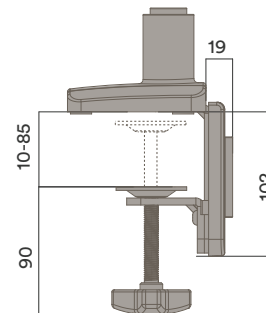
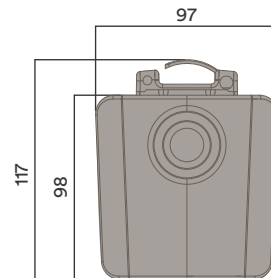
Weight Capacity	1~9kg per Arm
Fit Screen Size	17"-32"
Height Adjustment	285mm
Monitor Mounting	Vesa Compliant Monitors (75 or 100mm square)
Worktop Thickness	Bolt Through - 10~80mm Desk Clamp - 10~85mm

VA-MA-1100

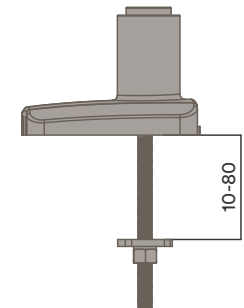
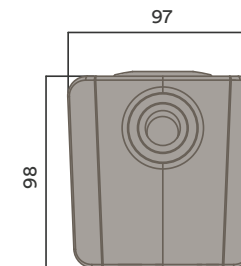
## Single Gaslift Monitor Arm



## Option 1: Desk Clamp



## Option 2: Bolt Through



\*Range is dependant on number and size of monitors.  
Lowest position shown has been calculated with 17" monitor.

# Vader Dual Arm

## Materials Information

### Arm

Aluminium

- a. Matte White
- b. Satin Black

### Base

Aluminium

- a. Matte White
- b. Satin Black

### Trim Detailing

ABS

- a. White
- b. Black

## Vesa Mounting Bracket

Steel

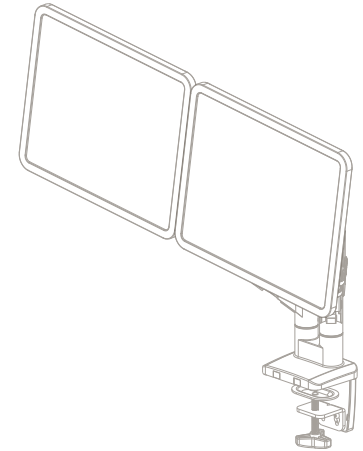
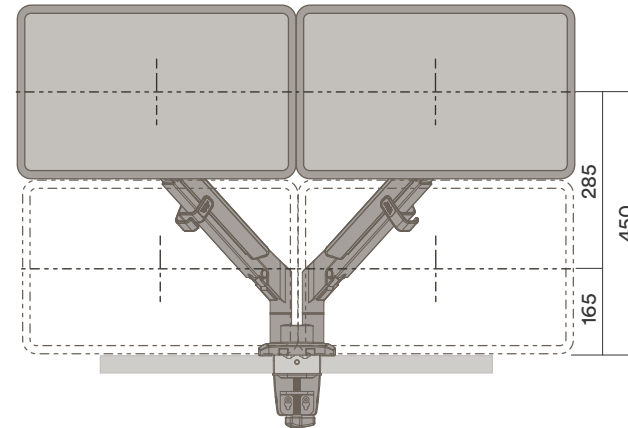
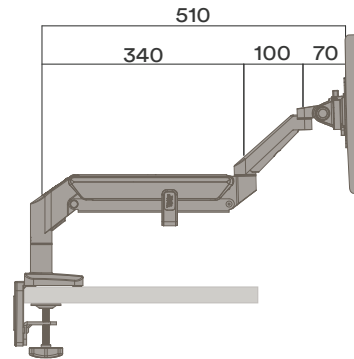
- a. Matte White
- b. Satin Black

Weight Capacity	1~9kg per Arm
Fit Screen Size	17"-32"
Height Adjustment	285mm
Monitor Mounting	Vesa Compliant Monitors (75 or 100mm square)
Worktop Thickness	Bolt Through - 10~80mm Desk Clamp - 10~85mm

\*Range is dependant on number and size of monitors.  
Lowest position shown has been calculated with 17" monitor.

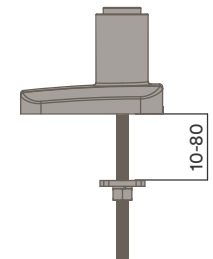
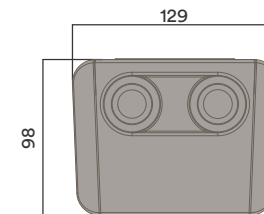
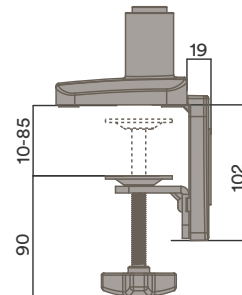
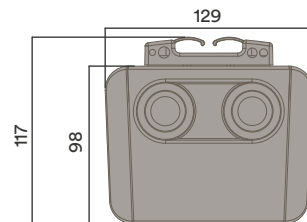
## VA-MA-1100

## Dual Gaslift Monitor Arm



## Option 1: Desk Clamp

## Option 2: Bolt Through



# Vader Laptop Tray

## Materials Information

### Tray

Steel & Silicone

Matte Black

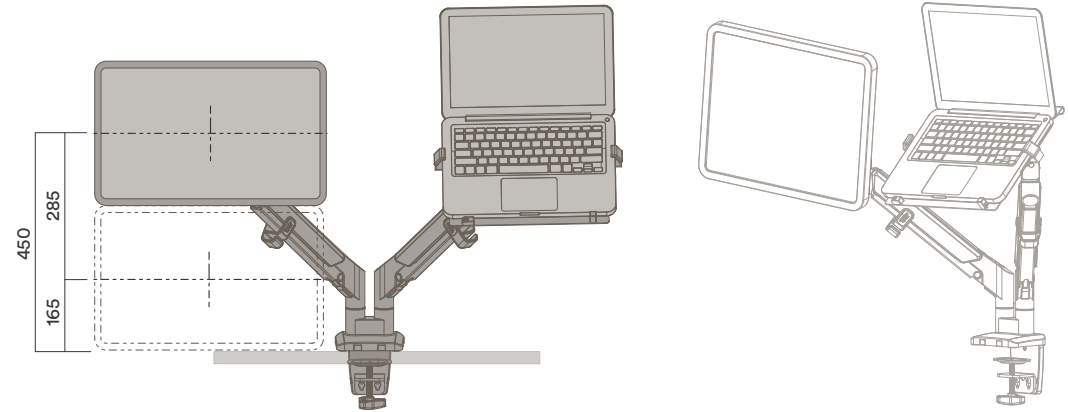
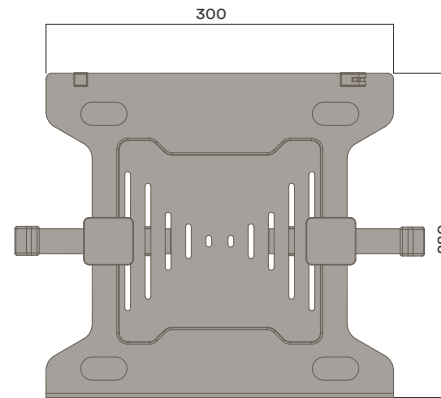
### Laptop Clamp

Steel & Nylon

Matte Black

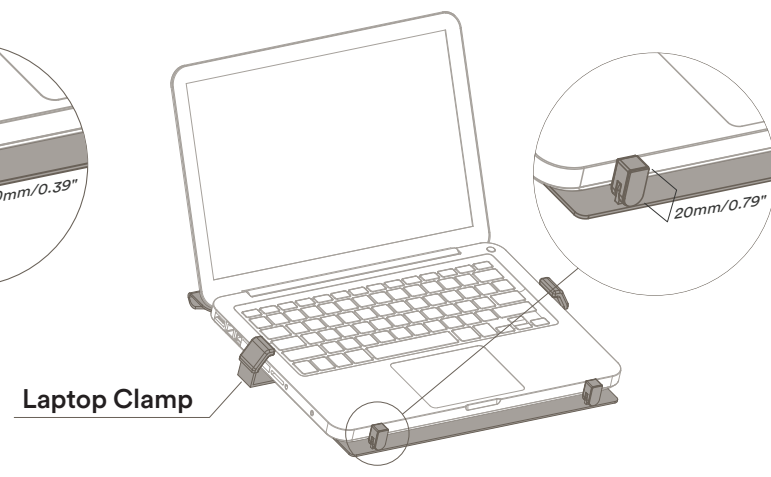
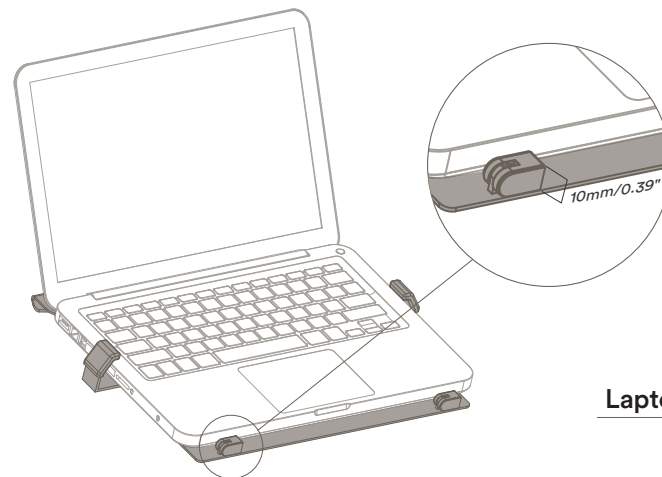
VA-MA-1500

Add-On Laptop Tray



For Thin Laptops

For Thick Laptops



Weight Capacity  
Fit Screen Size

4.5kg  
10"-15.6"





### **Specification**

If you would like a sample set of any of our finishes, please call us on 61 (0)2 9726 7177 or e-mail at [sales@thinkingw.com](mailto:sales@thinkingw.com).

Due to our policy of continuous product development, specifications and finishes may change without prior notice.

### **Sustainability Policy**

We realise the importance of responsible business practices and have in place numerous product and company sustainability certifications. We would encourage you to download our annual Sustainability Report from the Thinking Works website to get a full overview of our sustainability program.

Thinking Works  
© Copyright 2020  
All right reserved

---