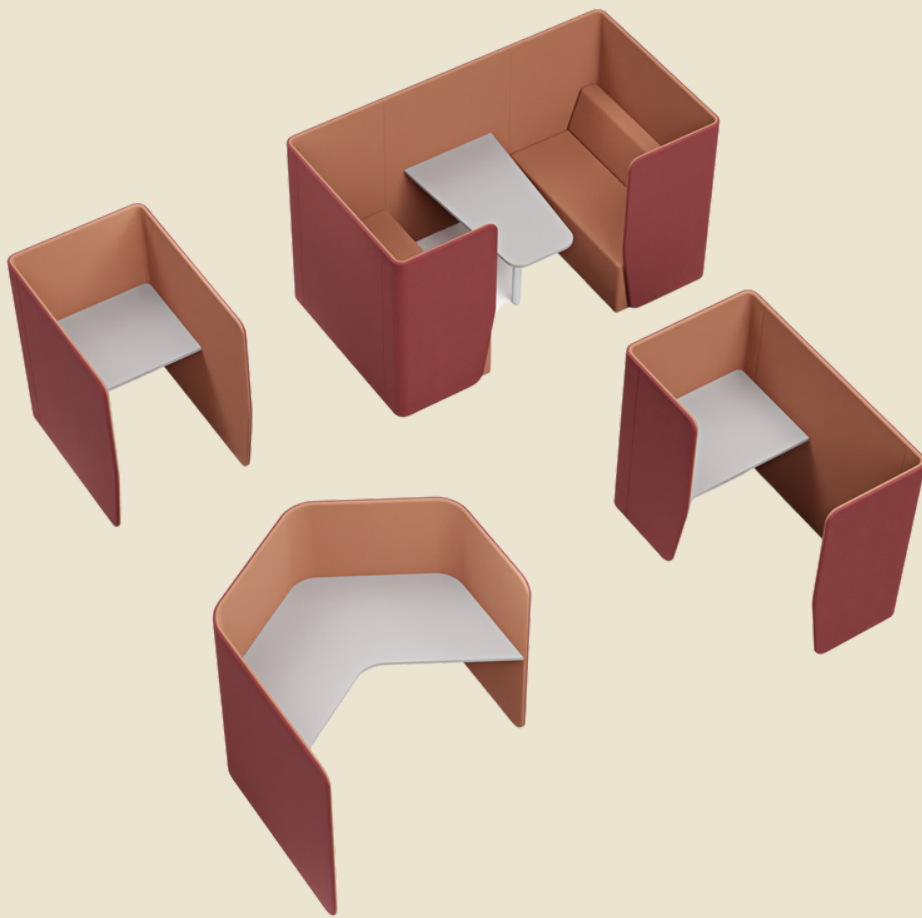


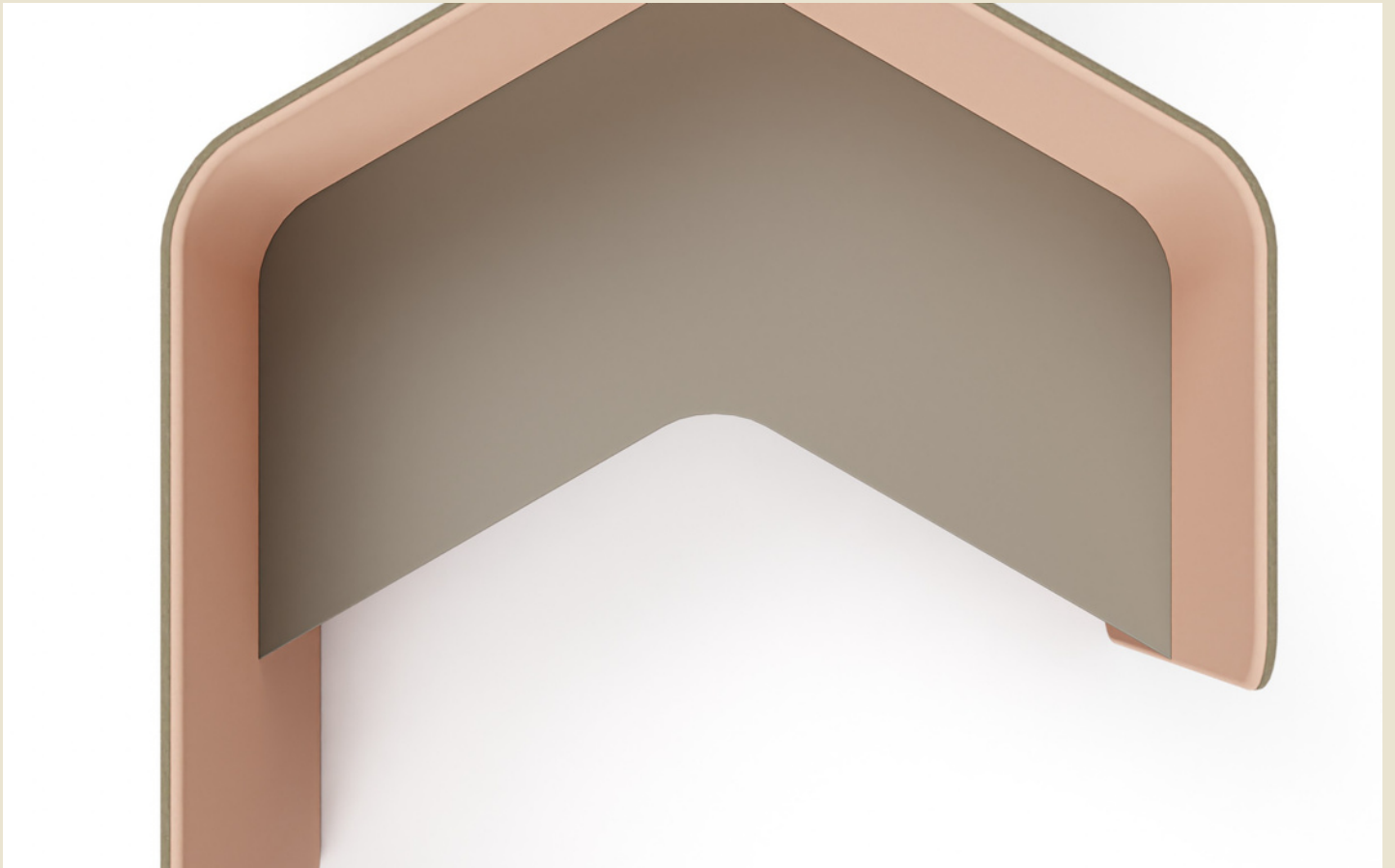
Archer

Booths



Design that works.

Collaborative spaces are inspiring, but employees and students also need privacy - Archer offers both. With slimline upholstered wall panels that follow versatile and aesthetic figurations, this time-tested range provides sheltered zones amongst open-plan environments to accommodate the working styles of individuals, assist acoustic properties and bring character to spaces without the expense or limitation of permanent walls.



Features

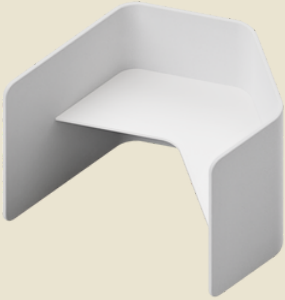
- Made in Australia
- A range of both individual and collaborative units
- Endless configuration options
- Fully upholstered wall panels
- Simple, streamlined design for small footprint
- Easy assembly and installation
- The sustainable, adaptable and cost-effective alternative to permanent walls

Finishes

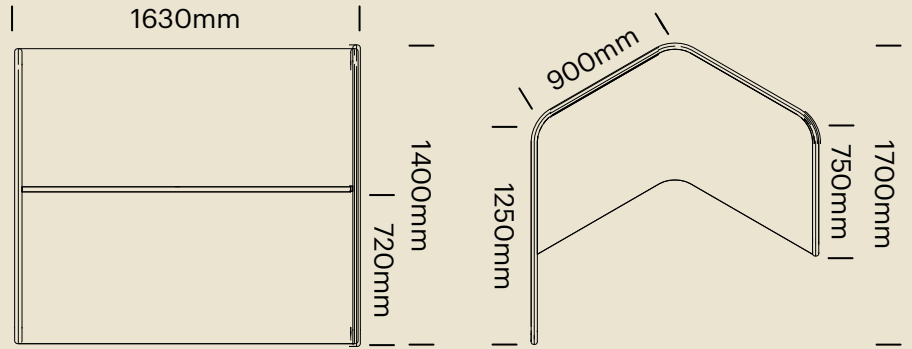
- Upholstery: Select from Burgtec house fabrics or fabric of your choice
- Tabletops/Worktops: Select from the house laminates range (Contrast edging available)
- Table/Support legs: Black or White

Archer

Hex Pod



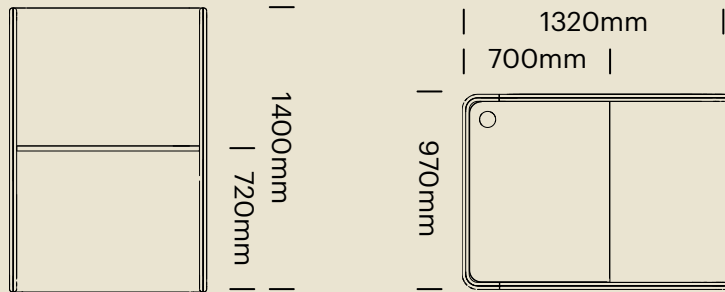
ARCHEX | Meterage: 10.8m



Work Cell



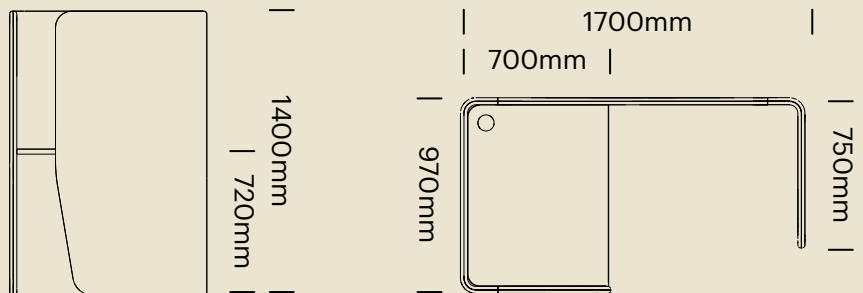
ARCCELL | Meterage: 8.5m



Work Booth

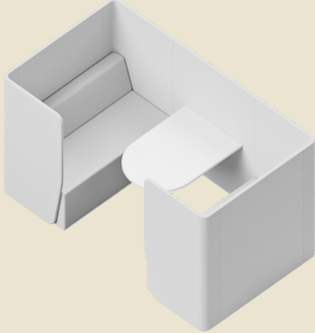


ARCBOOTH | Meterage: 12.6m

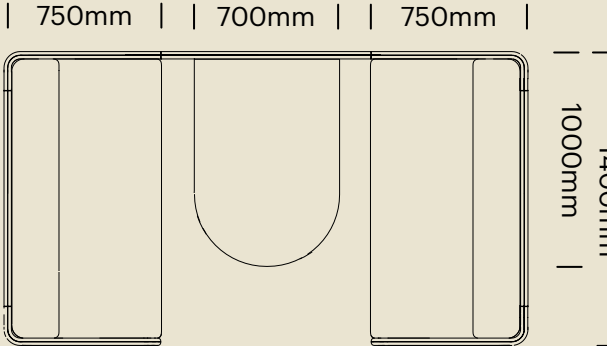
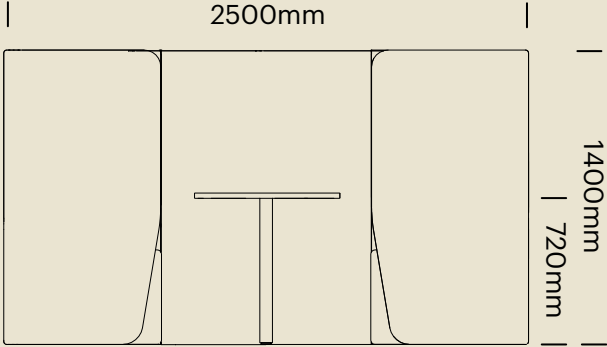


Archer

Meeting Booth (4-Person)



ARCMEET | Wall Meterage: 16m
Lounge Meterage: 9m



Care and Maintenance

Fabric

For a general clean, regular dusting and vacuuming removes any loose particles and stops dirt from entering the weave and breaking down the fibres. When necessary, the upholstery should be gently wiped with a clean cloth, dampened with warm soapy water.

Immediately dry with a clean and dry non-abrasive cloth. Do not use strong or abrasive cleaning fluids or detergents, as these may affect the colour and finish of the fabric. Upholstery can be professionally dry-cleaned if required. For best care and maintenance results please follow manufacturer's instructions

Laminate Surfaces

Clean with a damp, soft cloth or sponge using lukewarm water. Neutral diluted detergent may also be used with lukewarm water. Strong detergents which contain bleach, acid or have an abrasive effect (such as scouring creams) should be avoided.

Warranty Information

Archer Booths have a 10 Year Warranty. Burgtec promises the original purchaser, at our option, to repair or replace any of the said product or component thereof, subject to normal commercial use, that is defective in material or workmanship for the time period offered on the product from date of purchase. To view the full warranty statement for Archer please go to burgtec.com/archer





1800 287 483
info@burgtec.com
burgtec.com