

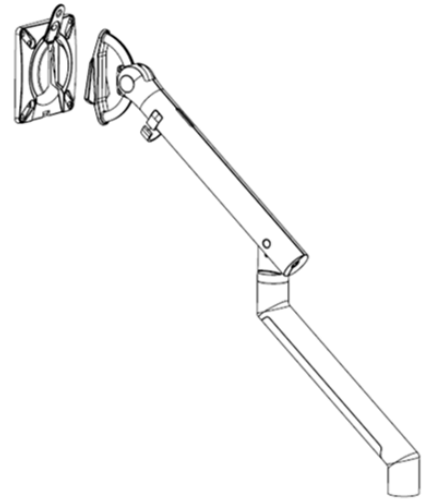
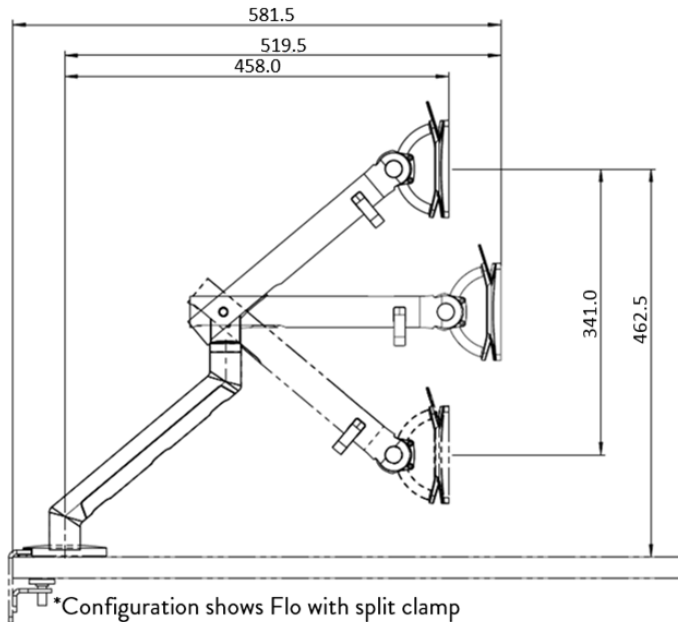


TECHNICAL SPECIFICATION SHEET

PRODUCT NAME: Flo Dynamic Monitor Arm

PRODUCT CODE: DYN/013/010

Doc Rev 2. 01.03.16. CF



*Note that dimensions provided are measured in mm

KEY FEATURES

- Award-winning aesthetic design and functionality
- Smooth, dynamic movement through its patented Flo Spring Technology
- Unique head design provides unrivalled degree of flexibility for tablets and touch screens
- Weight gauge reduces installation time and provides consistent performance
- Integrated three-point cable management system
- Minimal environmental impact
- Portrait / landscape screen mounting

Product Classification	Monitor Arms
Min Load	3kg (6.6lb)
Max load	9kg (19.84lb)
Tilt range	48.5° upwards, 48.5° downwards
Horizontal Range	458mm
Vertical Range	341mm
Build level	#G
Recycled content	34%
Total product recyclable	100%

LOGISTICAL

Box contains	Arm & Quick Release Mount Plate, Allen Key
Product net weight:	1.8 kg
Box dims (HxWxD)	90 x 130 x 671 mm
Box gross weight	1.9 kg
Carton quantity	6
Master dims (HxWxD)	275 x 295 x 690 mm
Master weight	13.3 kg
Country of origin	China
Country of configuration	UK

ORDERING INFORMATION

Colour	Product code	EAN
Silver	DYN/013/010/S	5060270823681
White	DYN/013/010/W	5060270823704

WARRANTY

Warranty Term	Limited lifetime – Excludes
Notes	Excludes quick-release – warranty 5 years

COMPLIANCE & SAFETY CERTIFICATION

Whilst no mandatory standards apply to the monitor arm product sector, all Colebrook Bosson Saunders monitor arms have been designed with appropriate articulation features, dimensional range and adjustability to conform to the requirements of BS EN ISO 9241:5 1999 Ergonomic requirements for office work with visual display terminals (VDTs).

Conformance certification	<ul style="list-style-type: none">• BS EN ISO 9241:5 1999 Ergonomic Requirements for office work with visual display terminals (VDTs). FIRA certificate of conformance• FIRA load testing and lifetime fatigue test - PP050. Passed as suitable for 'severe use'
Test authority	FIRA
Safety certification	N/A

ENVIRONMENTAL

Material type	Material type Weight	% PIR of total weight	% PCR of total weight	% of total product recyclable
Aluminium Die Cast	1088g	13.48%	26.95%	67.38%
Aluminium Extruded	0g	0%	0%	0%
Plastic	107g	0.33%	0.33%	6.63%
Rubber	0g	0%	0%	0%
Steel	391.7g	0%	6.06%	24.26%
Stainless Steel	27g	0%	0.33%	1.67%
Brass	1g	0%	0.01%	0.06%
Total	1614.7	13.81%	33.69%	100%

CLEANING, STORAGE & MAINTENANCE

Routine servicing	Periodic inspection
Service components	Available to order
Cleaning & Maintenance	Damp cloth, no abrasives, no solvents to be used on the cosmetic surfaces
Handling & Storage	Do not drop or expose to moisture

Colebrook Bosson Saunders (Products) Ltd accept no liability for the accuracy of the information contained herein and retain the right to modify the specifications or data contained herein without prior notification.