

burgtec.



Bodi Tables

Naturally inviting

Bodi Tables

Offering a modern twist to a classic silhouette, the Bodi table balances its durable construction with a welcoming aesthetic.

The timber laminate finish brings warmth and softness to the space, embracing the importance of biophilic design.

Featuring a sleek cylinder base, Bodi delivers style, stability, and versatility for any commercial or collaborative space.

Features

Made in Australia

Steel cylinder base with laminate wrapping

Available in 5 heights: Standard table (720mm),

Meeting table (double drum 720mm), Counter table (900mm),

Bar table (1050mm), Coffee (450mm) or Side table (500mm)

Optional Power/Cable management accessories

Finishes

Base: Select from Burgtec house laminates

Tabletop: Select from Burgtec house laminates

(Contrast edging available)

Warranty

10 years

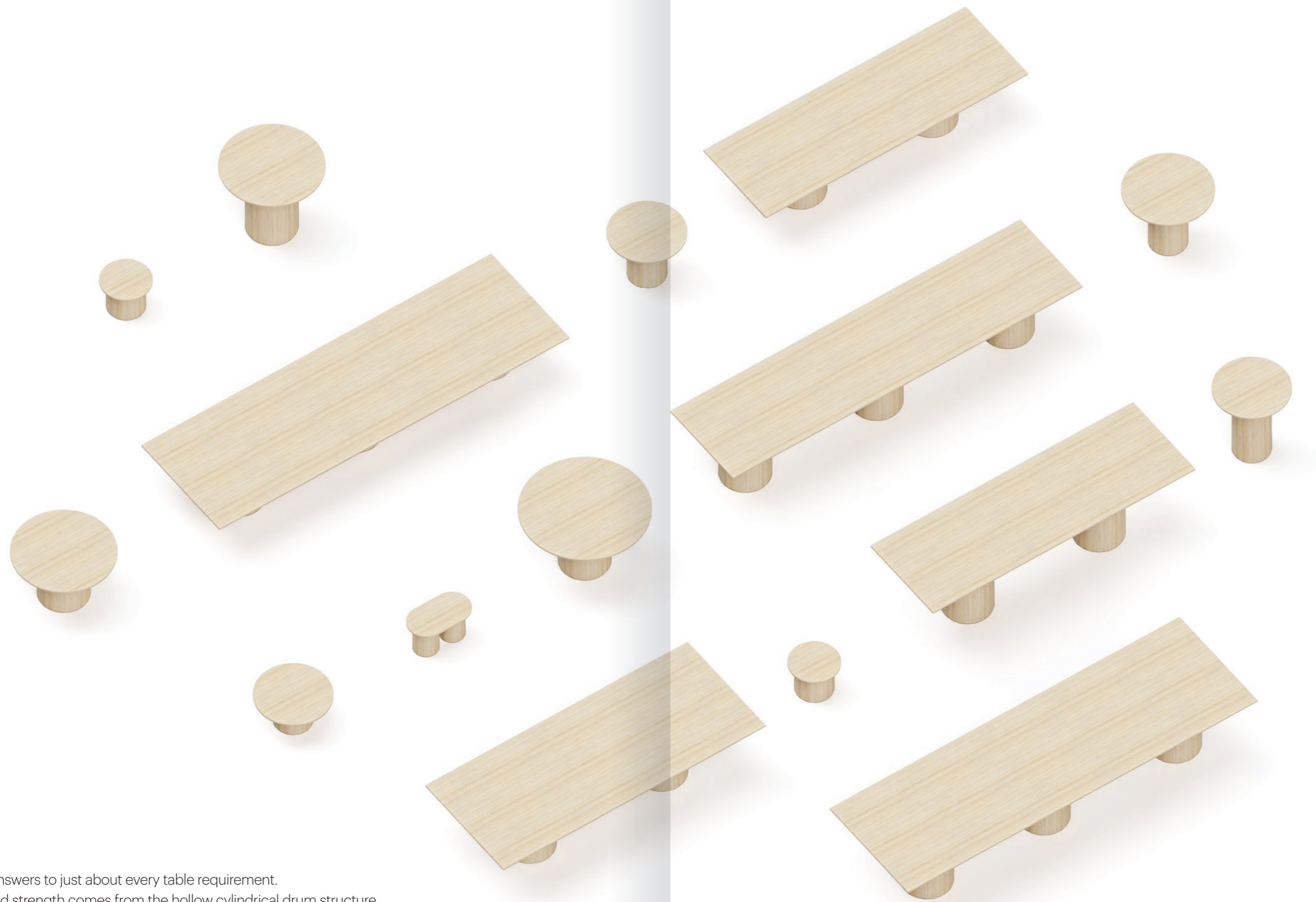
Lead Time

4-6 Weeks

Origin

Australia





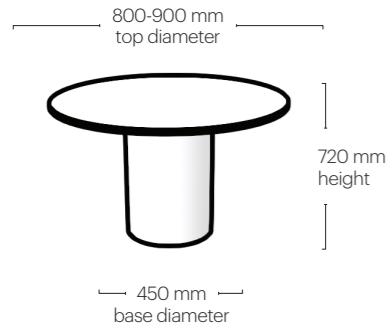
The Bodi range answers to just about every table requirement. Its adaptability and strength comes from the hollow cylindrical drum structure, available in every height of commercial table: standard meeting height, counter height, bar height and coffee or side table height, as a single drum or double drum base.

Starting from the set of standard options, and customising the size, shape, finishes and accessories, every Bodi design is unique to each project.

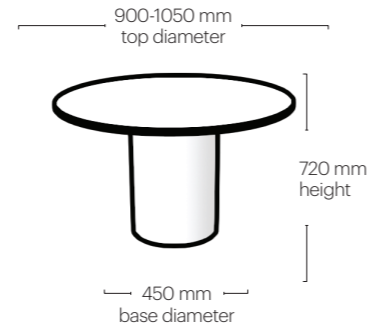


Dimensions

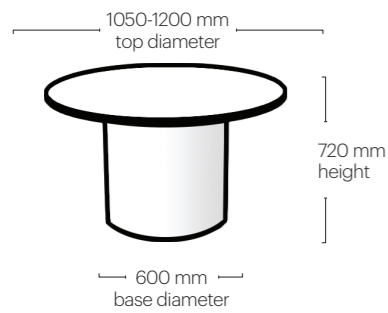
Bodi Round Table 720h
BODI-720H-RD-800-900



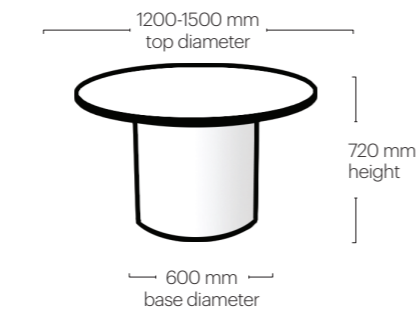
Bodi Round Table 720h
BODI-720H-RD-900-1050



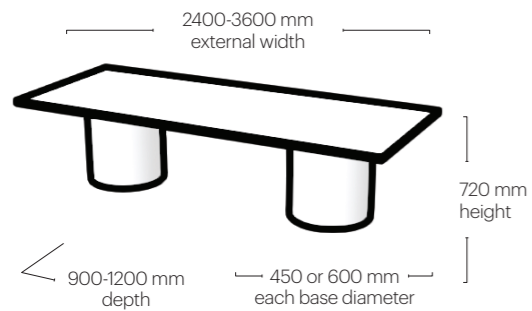
Bodi Round Table 720h
BODI-720H-RD-1050-1200



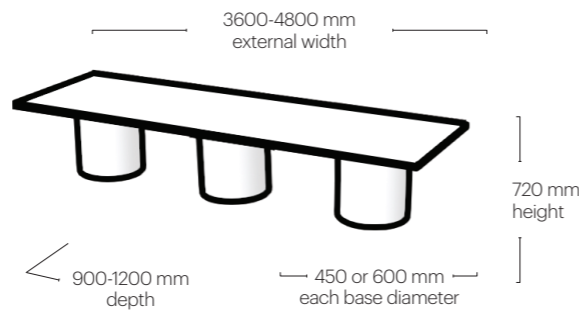
Bodi Round Table 720h
BODI-720H-RD-1200-1500



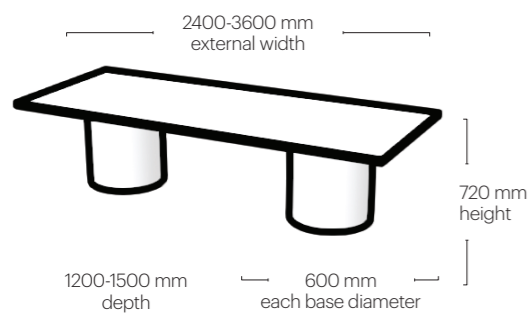
Bodi Rectangular Table 720h
BODI-720H-REC12-24-36



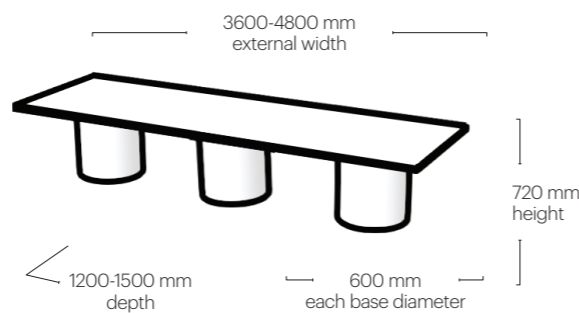
Bodi Rectangular Table 720h
BODI-720H-REC12-36-48



Bodi Rectangular Table 720h
BODI-720H-REC15-24-36

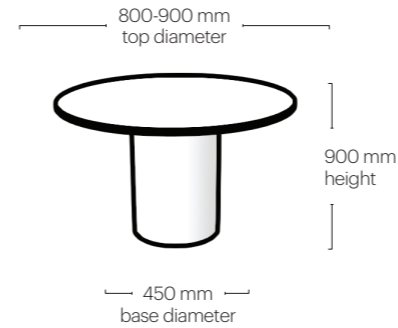


Bodi Rectangular Table 720h
BODI-720H-REC15-36-48

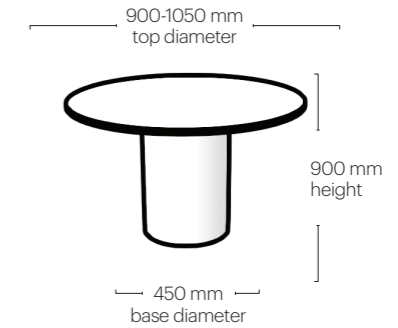


Dimensions

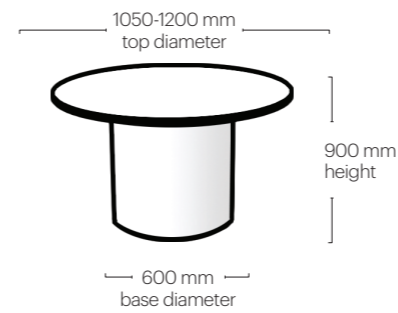
Bodi Round Table 900h
BODI-900H-RD-800-900



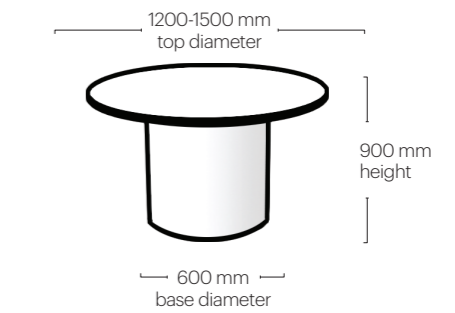
Bodi Round Table 900h
BODI-900H-RD-900-1050



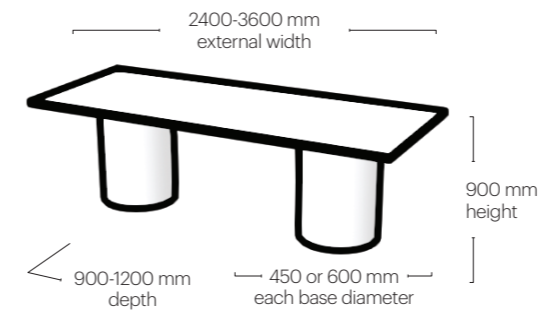
Bodi Round Table 900h
BODI-900H-RD-1050-1200



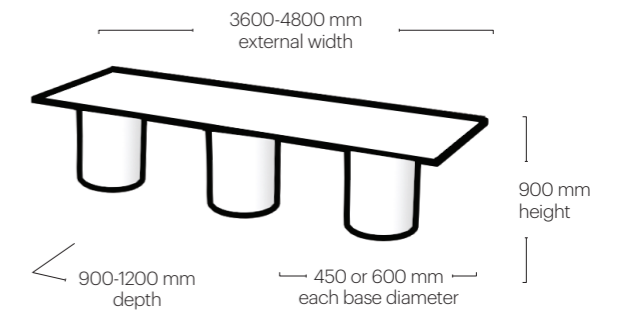
Bodi Round Table 900h
BODI-900H-RD-1200-1500



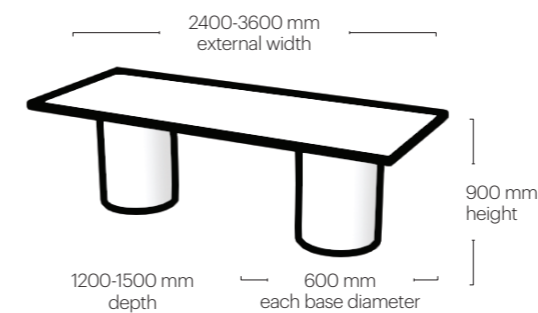
Bodi Rectangular Table 900h
BODI-900H-REC12-24-36



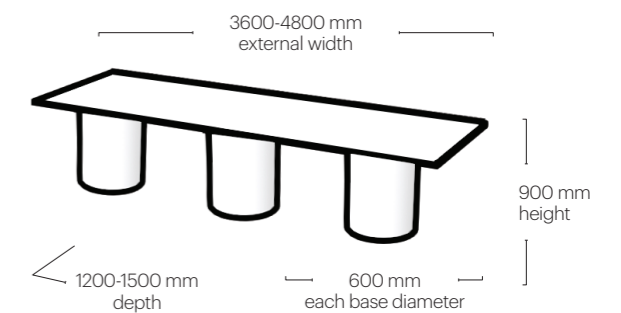
Bodi Rectangular Table 900h
BODI-900H-REC12-36-48



Bodi Rectangular Table 900h
BODI-900H-REC15-24-36



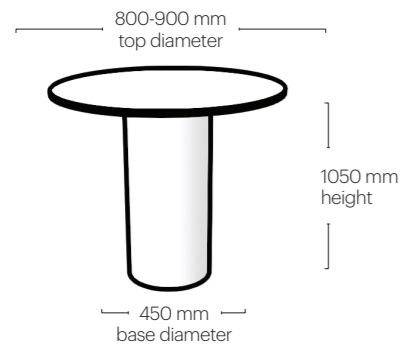
Bodi Rectangular Table 900h
BODI-900H-REC15-36-48



Dimensions

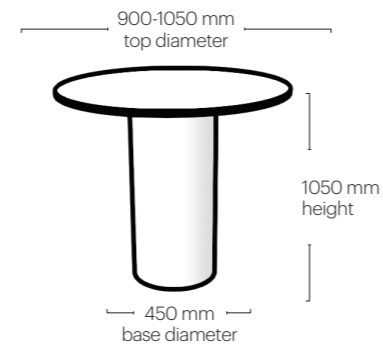
Bodi Round Table 1050h

BODI-1050H-RD-800-900



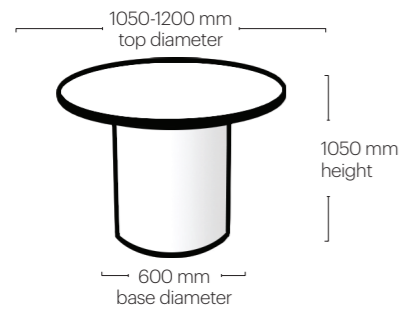
Bodi Round Table 1050h

BODI-1050H-RD-900-1050



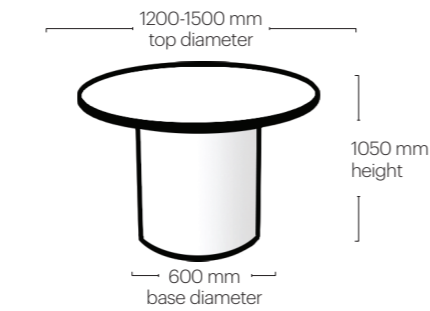
Bodi Round Table 1050h

BODI-1050H-RD-1050-1200



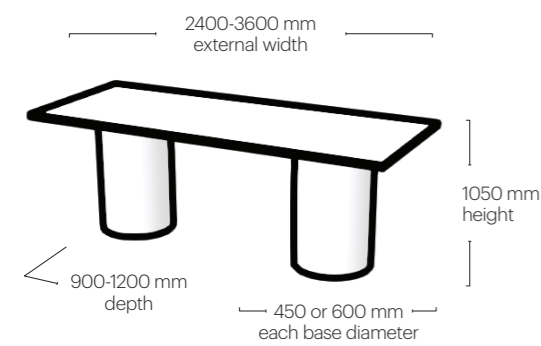
Bodi Round Table 1050h

BODI-1050H-RD-1200-1500



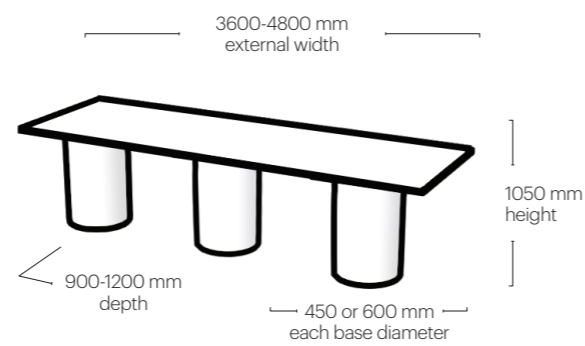
Bodi Rectangular Table 1050h

BODI-1050H-REC12-24-36



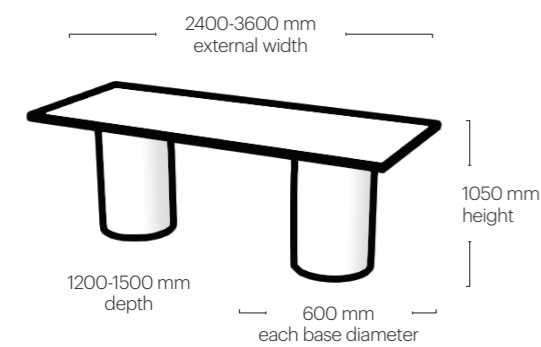
Bodi Rectangular Table 1050h

BODI-1050H-REC12-36-48



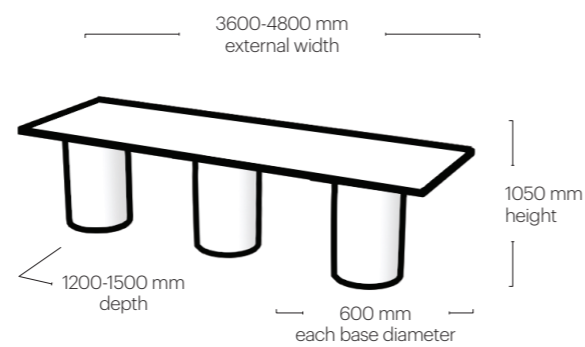
Bodi Rectangular Table 1050h

BODI-1050H-REC15-24-36



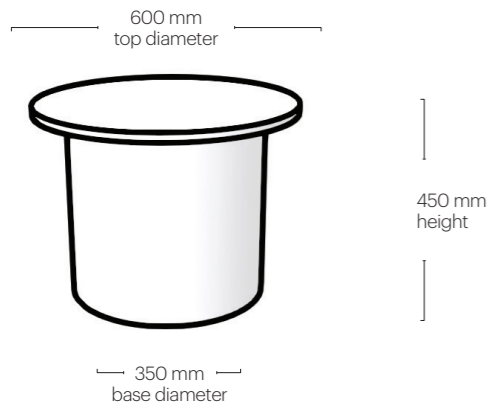
Bodi Rectangular Table 1050h

BODI-1050H-REC15-36-48

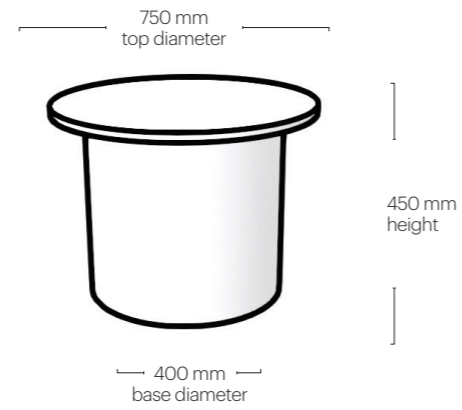


Dimensions

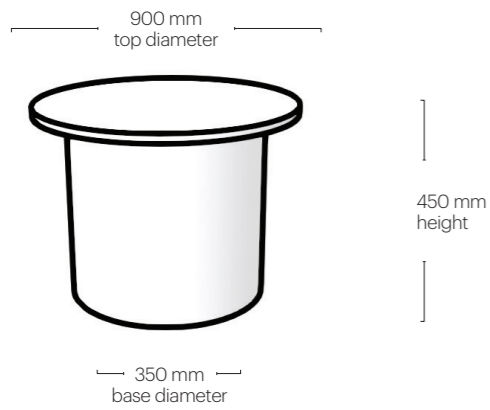
Bodi Round Table 450h
BODI-450H-RD- 600



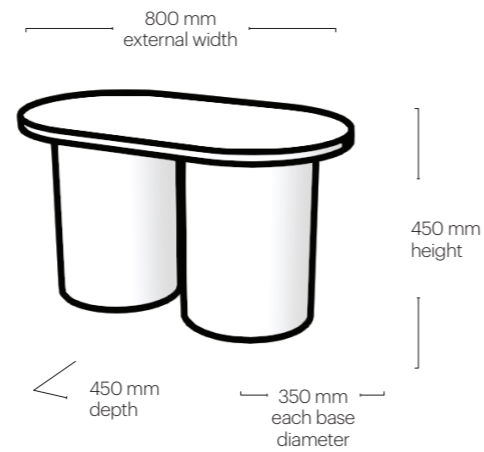
Bodi Round Table 450h
BODI-450H-RD- 750



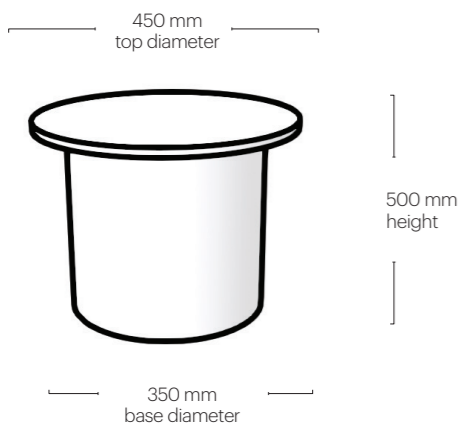
Bodi Round Table 450h
BODI-450H-RD- 900



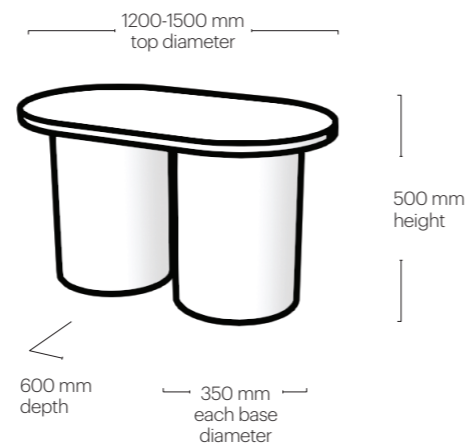
Bodi D-End Table 450h
BODI-450H- DEND-800-450



Bodi Round Table 500h
BODI-500H-RD- 450



Bodi D-End Table 500h
BODI-500H-DEND-800-500



General care and maintenance

Laminate Surfaces

Clean with a damp, soft cloth or sponge using lukewarm water. Neutral diluted detergent may also be used with lukewarm water. Strong detergents which contain bleach, acid or have an abrasive effect (such as scouring creams) should be avoided.

Metal surfaces (except stainless steel)

Clean with a damp, soft cloth or sponge using lukewarm soapy water. Strong detergents which contain bleach, acid or have an abrasive effect (such as scouring creams) should be avoided. Sponges and scourers made from synthetic fibres or metal which may leave permanent scratches on the surfaces should also be avoided. Ensure product is dried with clean fibre-free cloth after washing.

Stainless steel

Stainless steel needs constant care and preventative maintenance. The surface needs to be wiped dry of moisture daily. This is to prevent the moisture being trapped under a cover of dust or sea spray which results in tea staining. Stainless steel should be cleaned with 'White Lily' cream cleaner (no abrasive) or a stainless-steel cleaner - usually in a spray can. Wipe over surface in direction of finish lines.

Plastic

These materials are fairly resistant to damage from dirt. Regular dusting should help keep the surfaces free from dirt and help stop any scratches occurring. Avoid contact with boiling water, high heat, flame, and abrasives. Wash in warm soapy water and apply pressure where necessary, drying afterwards with a clean cloth. Do not use strong or abrasive cleaning fluids or detergents, as these may affect the colour and finish of the surface.

Fabric

For a general clean, regular dusting and vacuuming removes any loose particles and stops dirt from entering the weave and breaking down the fibres. When necessary, the upholstery should be gently wiped with a clean cloth, dampened with warm soapy water. Immediately dry with a clean and dry non-abrasive cloth. Do not use strong or abrasive cleaning fluids or detergents, as these may affect the colour and finish of the fabric. Upholstery can be professionally dry-cleaned if required. For best care and maintenance results please follow manufacturer's instructions.

Leather

Periodically dust with a clean, dry soft cloth. Do not expose your furniture to prolonged sunlight or other heat sources as this may cause fading. Avoid extremes of humidity. For dried soiling: gently brush with a soft brush or gently clean with a vacuum cleaner. For wet soiling and deep cleaning: gently remove the excess substance from the surface with absorbent paper. With a clean cloth soaked in a mild soap solution, gently remove the stain. Do not soak the surface, dry and buff immediately with a clean cloth. For best care and maintenance results please follow manufacturer's instructions.

Vinyl, PU & Faux Leather

Periodically dust with a clean, dry soft cloth. Do not expose your furniture to prolonged sunlight or other heat sources as this may cause fading. Avoid extremes of humidity. For dried soiling: gently brush with a soft brush or gently clean with a vacuum cleaner. For wet soiling and deep cleaning: gently remove the excess substance from the surface with absorbent paper. With a clean cloth soaked in a mild soap solution, gently remove the stain. Do not soak the surface, dry and buff immediately with a clean cloth. For best care and maintenance results please follow manufacturer's instructions.

People are the heart of every organisation. A well-designed workplace is one that welcomes, supports and elevates. It inspires people to bring their best self to work, everyday.

At Burgtec, we're genuine about partnerships. Bringing our expertise to the table, we listen with intent to understand the individual needs of our clients. We're proud to provide service as it should be, never taking our supplier, peer or client relationships for granted.

Since 1981, we've been local first. We design and manufacture our furniture here in Australia, using locally produced materials and suppliers at every step possible. We do this because it just makes sense – quicker lead times, true sustainability, better control of budgets and never needing to compromise on quality.

A Burgtec workplace balances practical needs with good design and ingenuity. It's a space that sits right, a place that nurtures relationships and potential.



burgtec.

Sydney

Canberra

Melbourne

Brisbane

We'd love to hear from you.

burgtec.com

1300 585 065

info@burgtec.com