

burgtec

Flix Collection Australia



Flix Collection

Australia

Introducing Flix, the versatile seating range. Its contemporary, modular design ignites innovation, empowering businesses to shape the workspaces of the future. With limitless configurations, it accommodates diverse and adaptable work styles. It's crafted to bring people together, balancing quality, adaptability, and timeless design.

Features	Made in Australia Modular Seating Collection Available in concave, convex, linear & corner modules [Note: Left & Right handing is based on a front-view perspective] Available in Standard Back, Medium Back, Tall Back and Ottoman
Finishes	Black glides to base Burgtec house fabric range Two-tone upholstery available
Warranty	10 Years
Lead time	4-6 Weeks



Flix Collection

Australia

**Flix Lounge - Medium Back
- 1-Seater Left Return -
Curated Upholstery**



FLXL-MB-1SSTLO-UPCUR

Depth 750mm
Height 1050mm
Width 750mm

**Flix Lounge - Medium Back
- 1-Seater No Returns -
Curated Upholstery**



FLXL-MB-1SSTNR-UPCUR

Depth 750mm
Height 1050mm
Width 600mm

**Flix Lounge - Medium Back
- 1-Seater Right Return -
Curated Upholstery**



FLXL-MB-1SSTRO-UPCUR

Depth 750mm
Height 1050mm
Width 750mm

**Flix Lounge - Medium Back
- 1-Seater With Returns -
Curated Upholstery**



FLXL-MB-1SSTWR-UPCUR

Depth 750mm
Height 1050mm
Width 950mm

**Flix Lounge - Medium Back
- 2-Seater Left Return -
Curated Upholstery**



FLXL-MB-2SSTLO-UPCUR

Depth 750mm
Height 1050mm
Width 1350mm

**Flix Lounge - Medium Back
- 2-Seater No Returns -
Curated Upholstery**



FLXL-MB-2SSTNR-UPCUR

Depth 750mm
Height 1050mm
Width 1200mm

**Flix Lounge - Medium Back
- 2-Seater Right Return -
Curated Upholstery**



FLXL-MB-2SSTRO-UPCUR

Depth 750mm
Height 1050mm
Width 1350mm

**Flix Lounge - Medium Back
- 2-Seater With Returns -
Curated Upholstery**



FLXL-MB-2SSTWR-UPCUR

Depth 750mm
Height 1050mm
Width 1500mm

**Flix Lounge - Medium Back
- 3-Seater Left Return -
Curated Upholstery**



FLXL-MB-3SSTLO-UPCUR

Depth 750mm
Height 1050mm
Width 1950mm

**Flix Lounge - Medium Back
- 3-Seater No Returns -
Curated Upholstery**



FLXL-MB-3SSTNR-UPCUR

Depth 750mm
Height 1050mm
Width 1800mm

**Flix Lounge - Medium Back
- 3-Seater Right Return -
Curated Upholstery**



FLXL-MB-3SSTRO-UPCUR

Depth 750mm
Height 1050mm
Width 1950mm

**Flix Lounge - Medium Back
- 3-Seater With Returns -
Curated Upholstery**



FLXL-MB-3SSTWR-UPCUR

Depth 750mm
Height 1050mm
Width 2100mm

**Flix Lounge - Medium Back
- 45 Degree Concave - COM
Upholstery**



FLXL-MB-45CCV-UPCUR

Depth 750mm
Height 1050mm
Width 750mm

**Flix Lounge - Medium Back -
45 Degree Convex - Curated
Upholstery**



FLXL-MB-45CVX-UPCUR

Depth 750mm
Height 1050mm
Width 750mm

**Flix Lounge - Medium Back -
Corner - Curated Upholstery**



FLXL-MB-CNR-UPCUR

Depth 750mm
Height 1050mm
Width 750mm

**Flix Lounge - Standard Back
- 1-Seater Left Return -
Curated Upholstery**



FLXL-SB-1SSTLO-UPCUR

Depth 750mm
Height 750mm
Width 750mm

Flix Collection

Australia

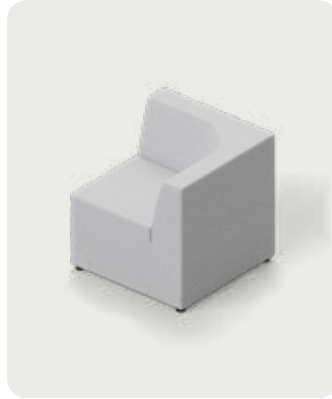
**Flix Lounge - Standard Back -
1-Seater No Returns - Curated
Upholstery**



FLXL-SB-1SSTNR-UPCUR

Depth 750mm
Height 750mm
Width 600mm

**Flix Lounge - Standard Back -
1-Seater Right Return -
Curated Upholstery**



FLXL-SB-1SSTRO-UPCUR

Depth 750mm
Height 750mm
Width 750mm

**Flix Lounge - Standard Back -
1-Seater With Returns -
Curated Upholstery**



FLXL-SB-1SSTWR-UPCUR

Depth 750mm
Height 750mm
Width 950mm

**Flix Lounge - Standard Back -
2-Seater Left Return -
Curated Upholstery**



FLXL-SB-2SSTLO-UPCUR

Depth 750mm
Height 750mm
Width 1350mm

**Flix Lounge - Standard Back -
2-Seater No Returns -
Curated Upholstery**



FLXL-SB-2SSTNR-UPCUR

Depth 750mm
Height 750mm
Width 1200mm

**Flix Lounge - Standard Back -
2-Seater Right Return -
Curated Upholstery**



FLXL-SB-2SSTRO-UPCUR

Depth 750mm
Height 750mm
Width 1350mm

**Flix Lounge - Standard Back -
2-Seater With Returns -
Curated Upholstery**



FLXL-SB-2SSTWR-UPCUR

Depth 750mm
Height 750mm
Width 1500mm

**Flix Lounge - Standard Back -
3-Seater Left Return -
Curated Upholstery**



FLXL-SB-3SSTLO-UPCUR

Depth 750mm
Height 750mm
Width 1950mm

**Flix Lounge - Standard Back
- 3-Seater No Returns -
Curated Upholstery**



FLXL-SB-3SSTNR-UPCUR

Depth 750mm
Height 750mm
Width 1800mm

**Flix Lounge - Standard Back
- 3-Seater Right Return -
Curated Upholstery**



FLXL-SB-3SSTRO-UPCUR

Depth 750mm
Height 750mm
Width 1950mm

**Flix Lounge - Standard Back
- 3-Seater With Returns -
Curated Upholstery**



FLXL-SB-3SSTWR-UPCUR

Depth 750mm
Height 750mm
Width 2100mm

**Flix Lounge - Standard Back
- 45 Degree Concave - COM
Upholstery**



FLXL-SB-45CCV-UPCUR

Depth 750mm
Height 750mm
Width 750mm

**Flix Lounge - Standard Back -
45 Degree Convex - Curated
Upholstery**



FLXL-SB-45CVX-UPCUR

Depth 750mm
Height 750mm
Width 750mm

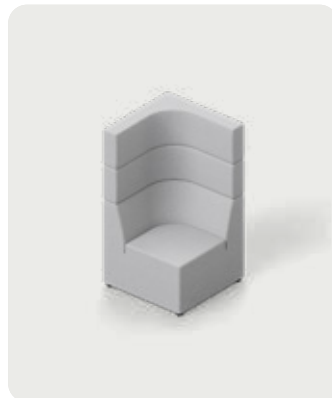
**Flix Lounge - Standard Back -
Corner - Curated Upholstery**



FLXL-SB-CNR-UPCUR

Depth 750mm
Height 750mm
Width 750mm

**Flix Lounge - Tall Back -
1-Seater Left Return - Curated
Upholstery**



FLXL-TB-1SSTLO-UPCUR

Depth 750mm
Height 1350mm
Width 750mm

**Flix Lounge - Tall Back -
1-Seater No Returns - Curated
Upholstery**



FLXL-TB-1SSTNR-UPCUR

Depth 750mm
Height 1350mm
Width 600mm

Flix Collection

Australia

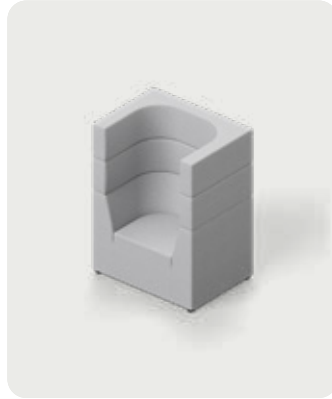
**Flix Lounge - Tall Back -
1-Seater Right Return - Curat-
ed Upholstery**



FLXL-TB-1SSTRO-UPCUR

Depth 750mm
Height 1350mm
Width 750mm

**Flix Lounge - Tall Back -
1-Seater With Returns - Cu-
rated Upholstery**



FLXL-TB-1SSTWR-UPCUR

Depth 750mm
Height 1350mm
Width 950mm

**Flix Lounge - Tall Back -
2-Seater Left Return - Curat-
ed Upholstery**



FLXL-TB-2SSTLO-UPCUR

Depth 750mm
Height 1350mm
Width 1350mm

**Flix Lounge - Tall Back -
2-Seater No Returns - Curat-
ed Upholstery**



FLXL-TB-2SSTNR-UPCUR

Depth 750mm
Height 1350mm
Width 1200mm

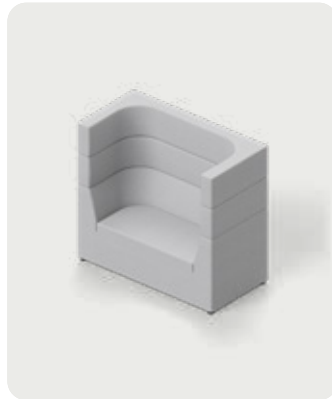
**Flix Lounge - Tall Back -
2-Seater Right Return - Cu-
rated Upholstery**



FLXL-TB-2SSTRO-UPCUR

Depth 750mm
Height 1350mm
Width 1350mm

**Flix Lounge - Tall Back -
2-Seater With Returns - Cu-
rated Upholstery**



FLXL-TB-2SSTWR-UPCUR

Depth 750mm
Height 1350mm
Width 1500mm

**Flix Lounge - Tall Back -
3-Seater Left Return - Curat-
ed Upholstery**



FLXL-TB-3SSTLO-UPCUR

Depth 750mm
Height 1350mm
Width 1950mm

**Flix Lounge - Tall Back -
3-Seater No Returns - Curat-
ed Upholstery**



FLXL-TB-3SSTNR-UPCUR

Depth 750mm
Height 1350mm
Width 1800mm

Flix Lounge - Tall Back - 3-Seater Right Return - Curated Upholstery



FLXL-TB-3SSTRO-UPCUR

Depth 750mm
Height 1350mm
Width 1950mm

Flix Lounge - Tall Back - 3-Seater With Returns - Curated Upholstery



FLXL-TB-3SSTWR-UPCUR

Depth 750mm
Height 1350mm
Width 2100mm

Flix Lounge - Tall Back - 45 Degree Concave - COM Upholstery



FLXL-TB-45CCV-UPCUR

Depth 750mm
Height 1350mm
Width 750mm

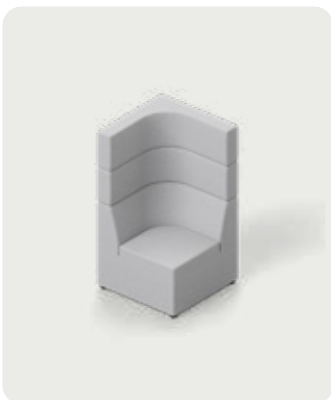
Flix Lounge - Tall Back - 45 Degree Convex - Curated Upholstery



FLXL-TB-45CVX-UPCUR

Depth 750mm
Height 1350mm
Width 750mm

Flix Lounge - Tall Back - Corner - Curated Upholstery



FLXL-TB-CNR-UPCUR

Depth 750mm
Height 1350mm
Width 750mm

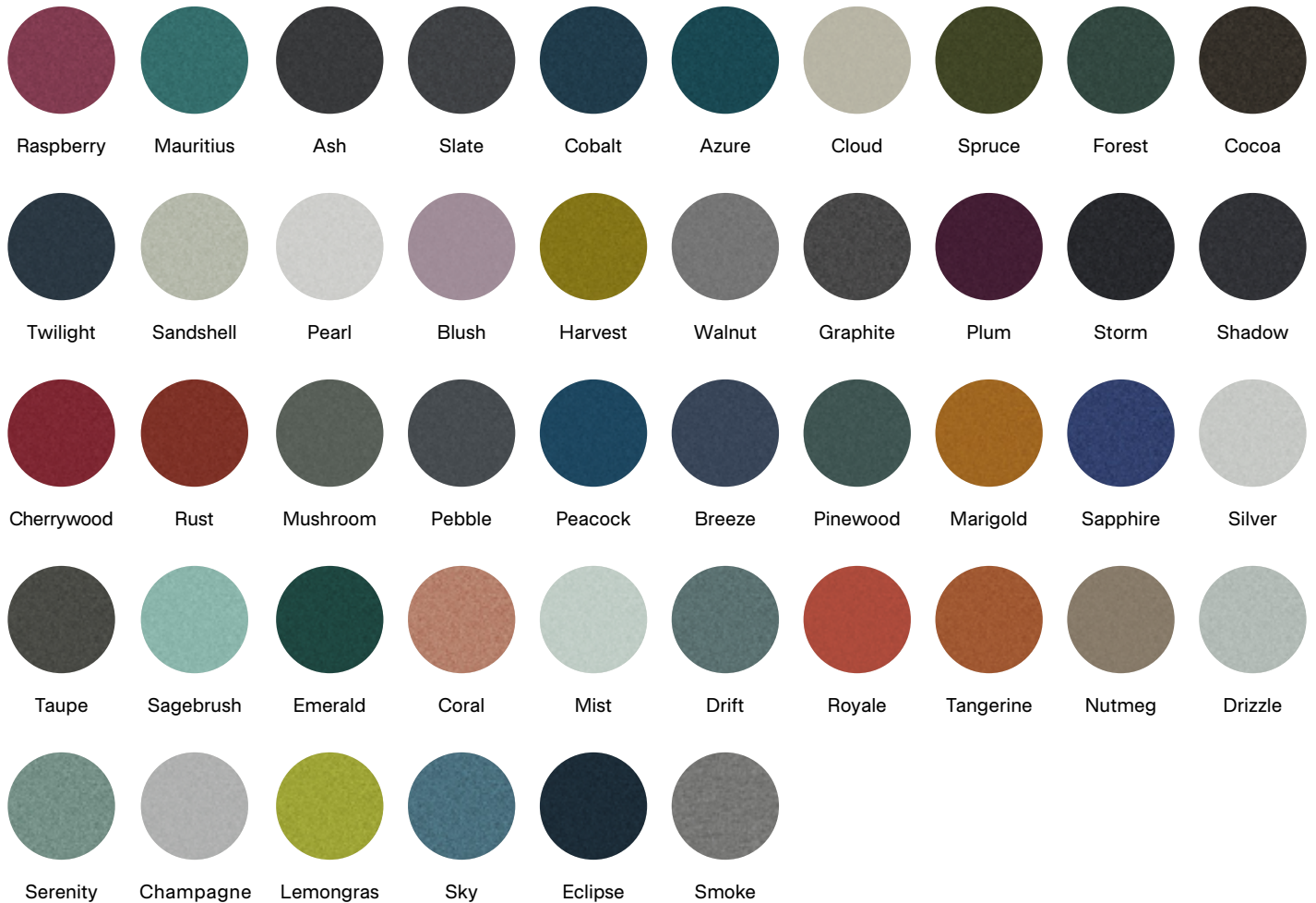




Finishes and materials

Fabrics, Atlas (Heavy Commercial, 100% Polyester, 3 year warranty, 130,000 cycles Martindale)

Curated by the Burgtec team, with 45 colours to choose from, the Atlas Extended fabric range is a durable, hard-working option for short lead-time projects, performing exceptionally in Martindale testing with an impressive 130,000 cycles.



Fabrics, Morocco (Commercial, 80% Polyvinyl Chloride, 20% Polyester, 3 year warranty, 150,000 cycles Martindale)

Stocked by Burgtec, available in 11 colours, this easy-to-clean vinyl range is a practical choice for healthcare, education and other regularly cleaned spaces, with the added benefit of being a budget-friendly alternative to leather and ideal for short lead-time projects.





Care and maintenance

Our products are made to last and to do so they require regular care. Every material has its own best way to clean and maintain, and we're here to help you choose what works best for your space. If your project has unique requirements or a specific use case, our team can guide you through the right approach. We see care as part of the ongoing partnership, helping you keep your spaces performing well over time.

Laminate Surfaces

Clean with a damp, soft cloth or sponge using lukewarm water. Neutral diluted detergent may also be used with lukewarm water. Strong detergents which contain bleach, acid or have an abrasive effect (such as scouring creams) should be avoided.

Metal surfaces (except stainless steel)

Clean with a damp, soft cloth or sponge using lukewarm soapy water. Strong detergents which contain bleach, acid or have an abrasive effect (such as scouring creams) should be avoided. Sponges and scourers made from synthetic fibres or metal which may leave permanent scratches on the surfaces should also be avoided. Ensure product is dried with clean fibre-free cloth after washing.

Stainless steel

Stainless steel needs constant care and preventative maintenance. The surface needs to be wiped dry of moisture daily. This is to prevent the moisture being trapped under a cover of dust or sea spray which results in tea staining. Stainless steel should be cleaned with 'White Lily' cream cleaner (no abrasive) or a stainless-steel cleaner - usually in a spray can. Wipe over surface in direction of finish lines.

Plastic

These materials are fairly resistant to damage from dirt. Regular dusting should help keep the surfaces free from dirt and help stop any scratches occurring. Avoid contact with boiling water, high heat, flame, and abrasives. Wash in warm soapy water and apply pressure where necessary, drying afterwards with a clean cloth. Do not use strong or abrasive cleaning fluids or detergents, as these may affect the colour and finish of the surface.

Fabric

For a general clean, regular dusting and vacuuming removes any loose particles and stops dirt from entering the weave and breaking down the fibres. When necessary, the upholstery should be gently wiped with a clean cloth, dampened with warm soapy water. Immediately dry with a clean and dry non-abrasive cloth. Do not use strong or abrasive cleaning fluids or detergents, as these may affect the colour and finish of the fabric. Upholstery can be professionally dry-cleaned if required. For best care and maintenance results please follow manufacturer's instructions.

Leather

Periodically dust with a clean, dry soft cloth. Do not expose your furniture to prolonged sunlight or other heat sources as this may cause fading. Avoid extremes of humidity. For dried soiling: gently brush with a soft brush or gently clean with a vacuum cleaner. For wet soiling and deep cleaning: gently remove the excess substance from the surface with absorbent paper. With a clean cloth soaked in a mild soap solution, gently remove the stain. Do not soak the surface, dry and buff immediately with a clean cloth. For best care and maintenance results please follow manufacturer's instructions.

Vinyl, PU & Faux Leather

Periodically dust with a clean, dry soft cloth. Do not expose your furniture to prolonged sunlight or other heat sources as this may cause fading. Avoid extremes of humidity. For dried soiling: gently brush with a soft brush or gently clean with a vacuum cleaner. For wet soiling and deep cleaning: gently remove the excess substance from the surface with absorbent paper. With a clean cloth soaked in a mild soap solution, gently remove the stain. Do not soak the surface, dry and buff immediately with a clean cloth. For best care and maintenance results please follow manufacturer's instructions.



Real People. Speed. Precision. Scale.

We make commercial furniture in Australia for workplaces and public spaces.

Since 1981, we've designed and manufactured locally, working directly with clients and project teams to deliver solutions that fit the space, the brief and the budget. Built to perform every day, and built to last.

burgtec

ACT

Canberra
Suite 2, Ground Floor, 15 Moore St,
Canberra ACT 2601

canberra@burgtec.com
02 4329 8102

NSW

Sydney
Level 1, 36 Carrington St,
Sydney NSW 2000

sydney@burgtec.com
02 4329 8101

QLD

Brisbane
Level 12, 300 Queen St,
Brisbane QLD

brisbane@burgtec.com
07 3507 1129